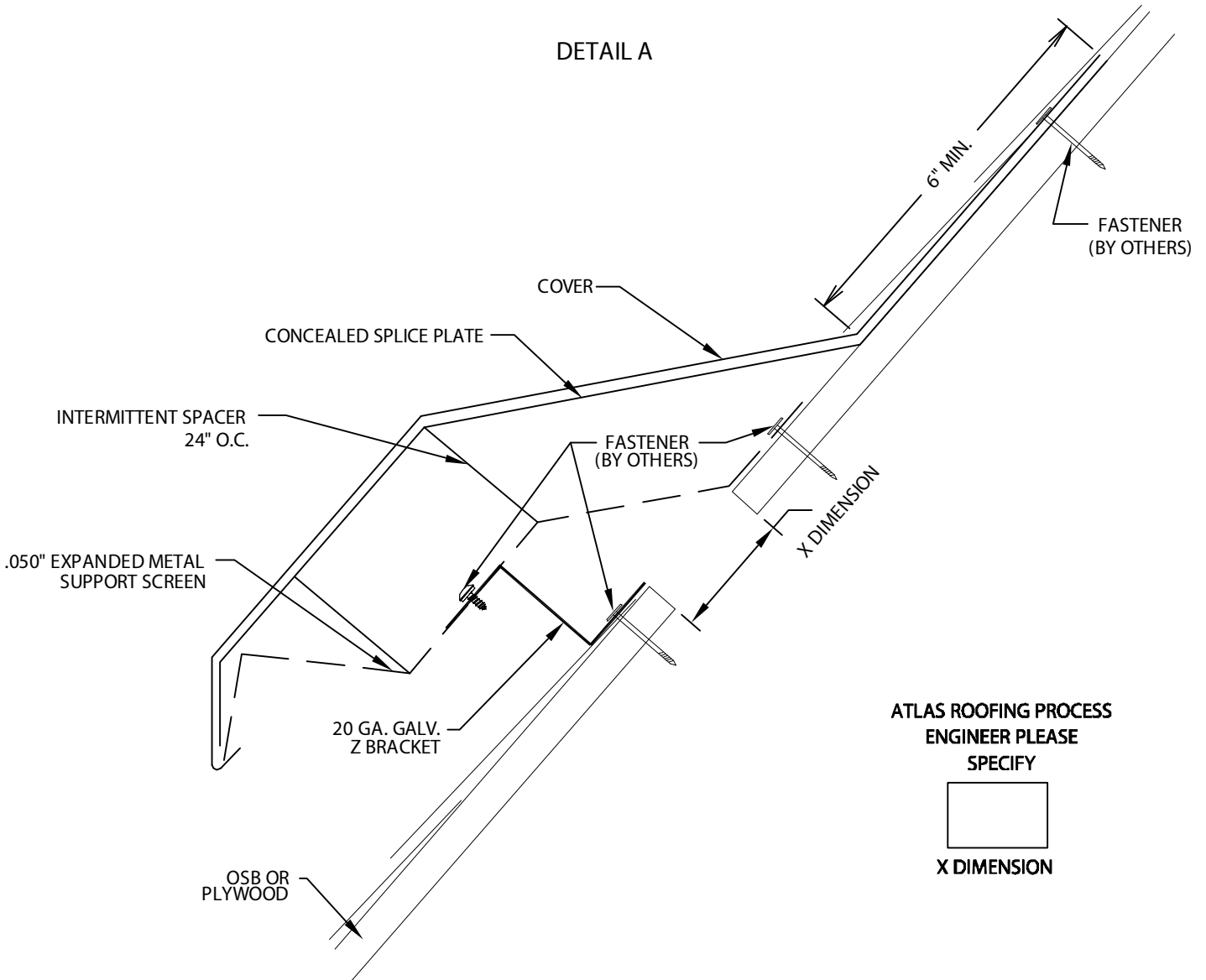


# TECHNI-FLO IV

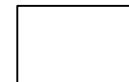
ON SLOPE

## INSTALLATION INSTRUCTIONS

DETAIL A



ATLAS ROOFING PROCESS  
ENGINEER PLEASE  
SPECIFY



X DIMENSION

IMPORTANT! BE SURE TO REMOVE  
PROTECTIVE PLASTIC FILM PRIOR TO  
INSTALLING EACH COVER SECTION.

NOTE: ALL FASTENERS MUST MEET MINIMUM 240 LB. PULL-OUT FOR SUBSTRATE.

**CAUTION!** INSTALLERS SHALL WEAR PROTECTIVE EYE WEAR TO PREVENT INJURY. DO NOT OVERDRIVE FASTENERS, AS STRIPPING CAN OCCUR AT HIGH DRIVER TORQUE.  
RECOMMENDED DRIVING TOOL: 600 - 800 rpm ELECTRIC DRILL EQUIPPED WITH DEPTH-SENSING NOSE-PIECE TO PREVENT DRIVING AND STRIPOUT. DO NOT USE IMPACT TYPE TOOL.



Phone: 855-542-0918  
Fax: 800-770-3934  
roof.atlasroofing.com

DATE: 3/10/11

SHT.# 1 OF 3

DRN BY: MRK

CKD BY: SAK

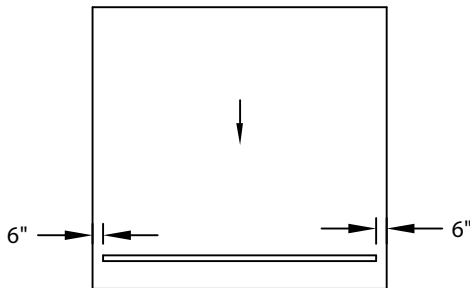
DWG# 38424-10928

B

# TECHNI-FLO IV

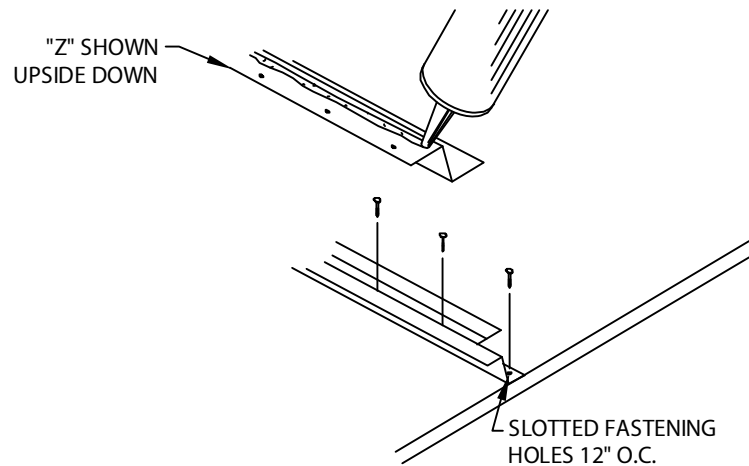
ON SLOPE

## INSTALLATION INSTRUCTIONS



### 1. PREPARE INTAKE OPENING

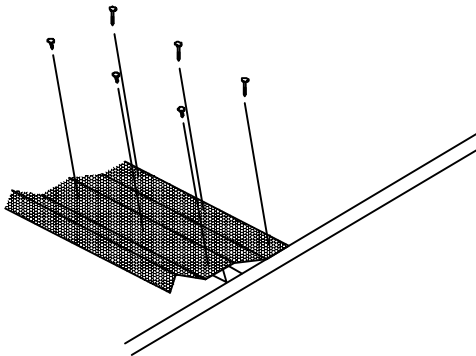
CUT "X" DIMENSION OPENING AT LEAST 18" FROM FLAT ROOF. (SEE DETAIL "A.")



### 2. MOUNTING BRACKETS

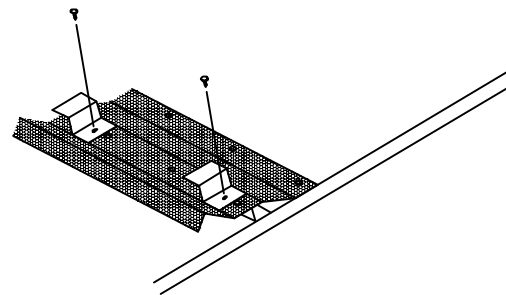
TO PREVENT MOISTURE ENTRY UNDER THE "Z", APPLY A GENEROUS BEAD OF NON-CURING SEALANT TO BOTTOM OF BRACKET. FASTEN BRACKETS TO PLYWOOD AT 6" (152 mm) O.C. WITH APPROPRIATE FASTENERS USING PRE-PUNCHED SLOTTED HOLES. LAP "Z'S" 1".

NOTE: FOAM/SEALANT SHOULD BE PLACED BETWEEN THE "Z" AND ROOF OVER THE PLYWOOD ON THE LAST 6" AT BOTH ENDS (SEE STEP 1)



### 3. EXPANDED METAL SUPPORT SCREEN

PLACE SUPPORT SCREEN CENTERED OVER "Z" BRACKET. FASTEN AT 12" (305 mm) O.C. TO "Z" BRACKET. FASTEN SUPPORT SCREEN AT 12" (305 mm) O.C. TO PLYWOOD. LAP SUPPORT SCREENS 1".



### 4. INTERMITTENT SPACERS

PLACE INTERMITTENT SPACERS OVER SUPPORT SCREEN AT 24" (610 mm) O.C. FASTEN USING PRE-SLOTTED HOLES.



Phone: 855-542-0918  
Fax: 800-770-3934  
roof.atlasroofing.com

DATE: 3/10/11

SHT.# 2 OF 3

DRN BY: MRK

CKD BY: SAK

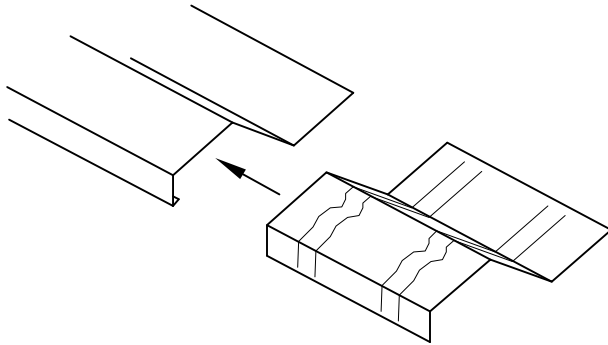
DWG# 38424-10928

B

# TECHNI-FLO IV

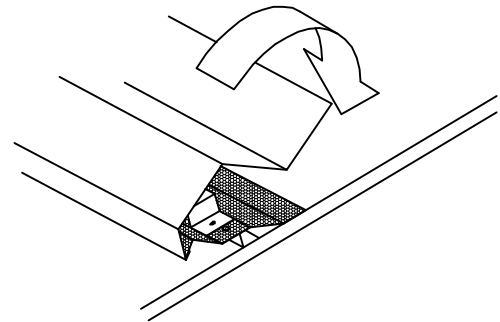
ON SLOPE

## INSTALLATION INSTRUCTIONS



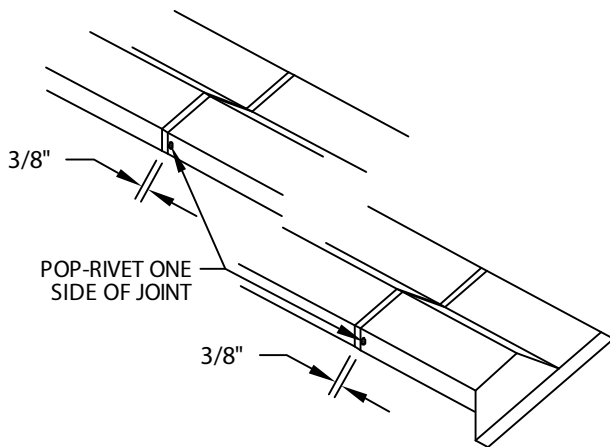
### 5. SPLICE PLATES

8" CONCEALED SPLICE PLATE SUPPLIED AT EACH COVER JOINT. APPLY SEALANT TO TOP OF SPLICE PLATES AS SHOWN. INSTALL THE SPLICE PLATE INTO ONE END OF 12'-0" COVER SO THAT HALF THE SPLICE PLATE IS EXPOSED.



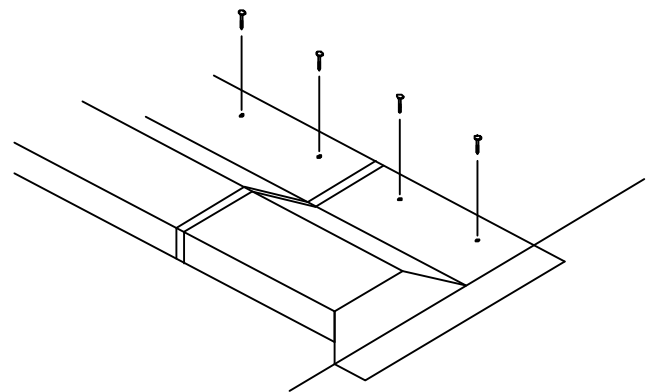
### 6. COVER

HOOK COVER INTO PLACE STARTING AT LOWER END. HOOK THE EXPANDED METAL SUPPORT SCREEN INTO THE COVER LIP. ROTATE COVER DOWNWARD.



### 7. POP-RIVET

POP-RIVET SPLICE TO ONE SIDE JOINT TO PREVENT JOINT MIGRATION. CONTINUE INSTALLING COVER WITH A  $\frac{3}{8}$ " (10 mm) SPACE AT SPLICE PLATES TO ALLOW FOR THERMAL EXPANSION. FIELD CUT WHERE REQUIRED USING A FINE TOOTH HACKSAW. INSTALL THE END CAP (STYLE B SHOWN) IN THE SAME FASHION. NOTE: REMOVE PROTECTIVE FILM IMMEDIATELY.



### 8. FASTEN

FASTEN TO PLYWOOD 6" (305 mm) O.C. WITH APPROPRIATE FASTENERS USING PRE-PUNCHED SLOTTED HOLES. NOTE: TWO FASTENERS REQUIRED FOR EACH END CAP.



Phone: 855-542-0918  
Fax: 800-770-3934  
roof.atlasroofing.com

DATE: 3/10/11

SHT.# 3 OF 3

DRN BY: MRK

CKD BY: SAK

DWG# 38424-10928

B