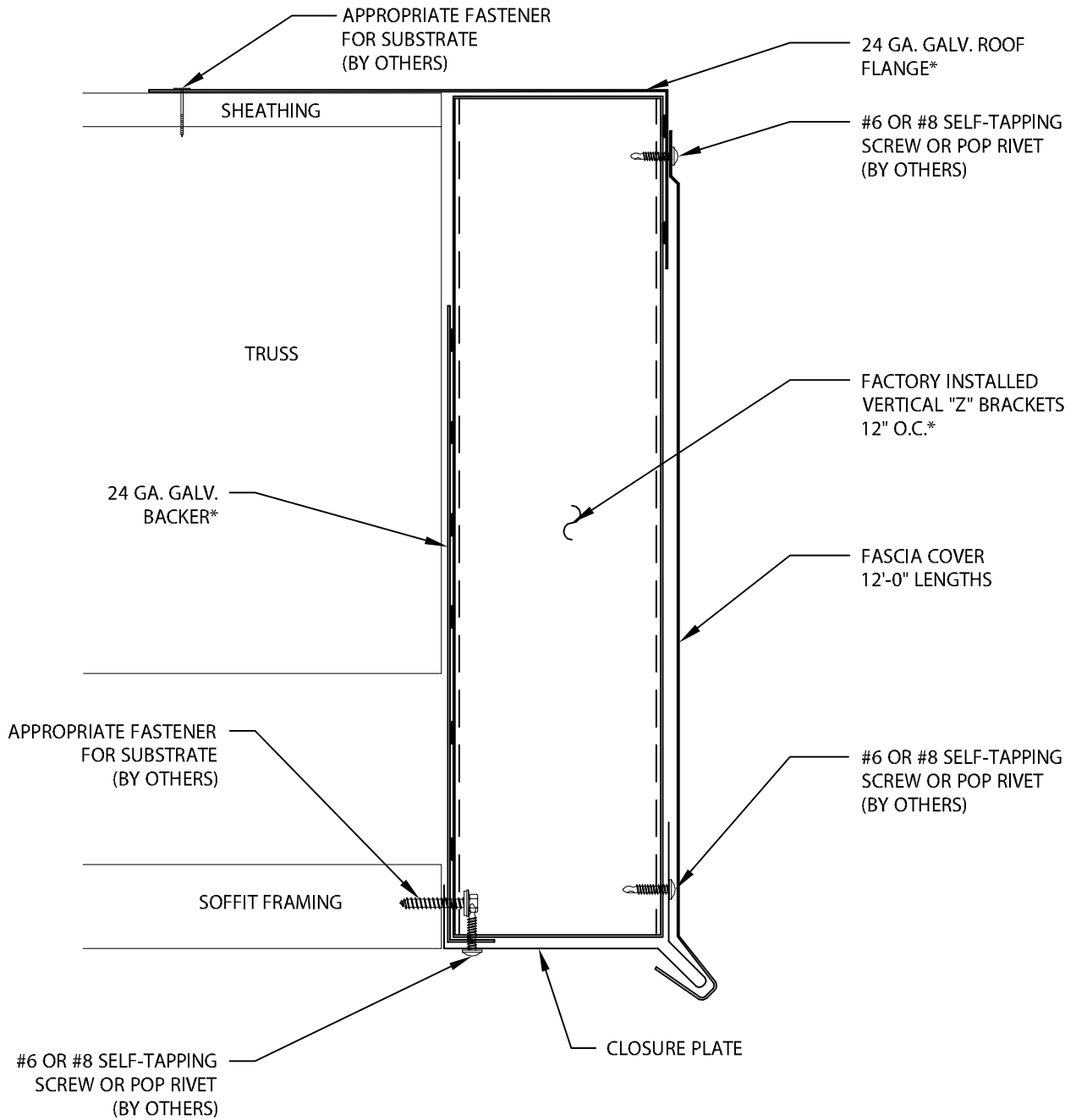


# TECHNI-FLO RF

WITH VERTICAL "Z" BRACKETS  
INSTALLATION INSTRUCTIONS

## TYPICAL FASCIA INSTALLATION



\*BACKER ASSEMBLY (FACTORY ASSEMBLED 24 GA. GALV. ROOF FLANGE, 24 GA. GALV. BACKER, AND VERTICAL "Z" BRACKETS 12" O.C.)



Phone: 855-542-0918  
Fax: 800-770-3934  
roof.atlasroofing.com

DATE: 01/17/12

SHT.# 1 OF 7

DRN BY: JJC

CKD BY: SAK

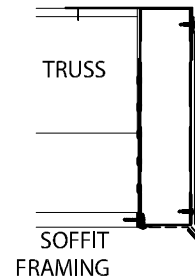
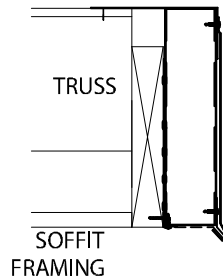
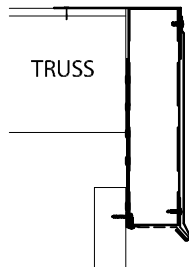
DWG# 38127-10890

D

# TECHNI-FLO RF

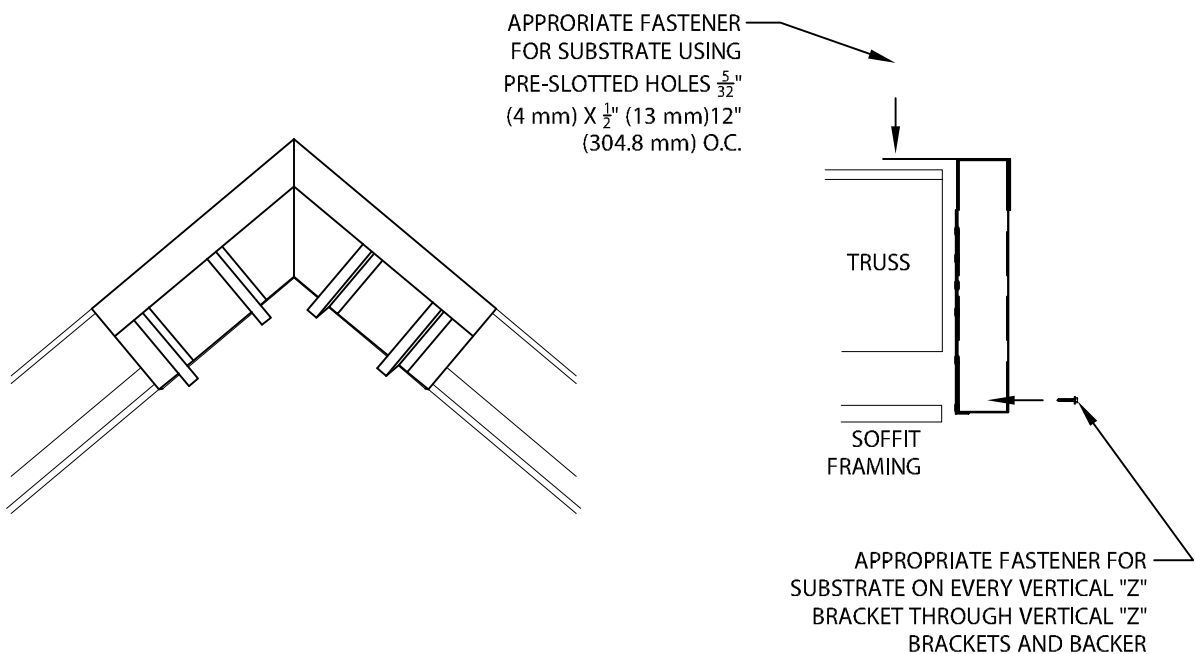
## WITH VERTICAL "Z" BRACKETS

### INSTALLATION INSTRUCTIONS



#### 1. SUBSTRATE

SUBSTRATE MUST BE CONTINUOUS, FLAT, VERTICAL, AND ABLE TO SUPPORT FASTENERS WITH A MINIMUM 240 LB. PULL-OUT. EXAMPLES - ATTACHING FLUSH TO A WALL, TO A WOOD SUBSTRATE, TO SOFFIT FRAMING.



#### 2. MITER BACKER ASSEMBLY ATTACHMENT - PEAK MITER SHOWN

ALIGN THE BACK OF THE BACKER ASSEMBLY WITH THE TRUSS. ALIGN THE TOP OF THE BACKER ASSEMBLY WITH THE TOP OF THE SHEATHING. ATTACH THE ROOF FLANGE OF THE BACKER ASSEMBLY TO THE TOP OF THE SHEATHING WITH AN APPROPRIATE FASTENER FOR THE SUBSTRATE USING THE PRE-SLOTTED HOLES AT  $\frac{5}{32}$ " (4 mm) X  $\frac{1}{2}$ " (13 mm) 12" (304.8 mm) O.C. ATTACH THE BACKER ASSEMBLY THROUGH THE VERTICAL "Z" BRACKETS AND BACKER USING APPROPRIATE FASTENER FOR SUBSTRATE ON EVERY VERTICAL "Z" BRACKET.

NOTE: BE SURE TO CHECK AND MAKE SURE THE MITERS ARE PLUMB, LEVEL, AND CENTERED AT THE CORNER. IT MAY BE HELPFUL TO ATTACH THE MITER TO A STRAIGHT PIECE OF THE BACKER ASSEMBLY TO AID IN THE ALIGNMENT PROCESS.

REFERENCE THE EAVE INSTALLATION INSTRUCTIONS FOR THE EAVE TO RAKE MITER BACKER ASSEMBLY ATTACHMENT



Phone: 855-542-0918  
 Fax: 800-770-3934  
 roof.atlasroofing.com

DATE: 01/17/12

SHT.# 2 OF 7

DRN BY: JJC

CKD BY: SAK

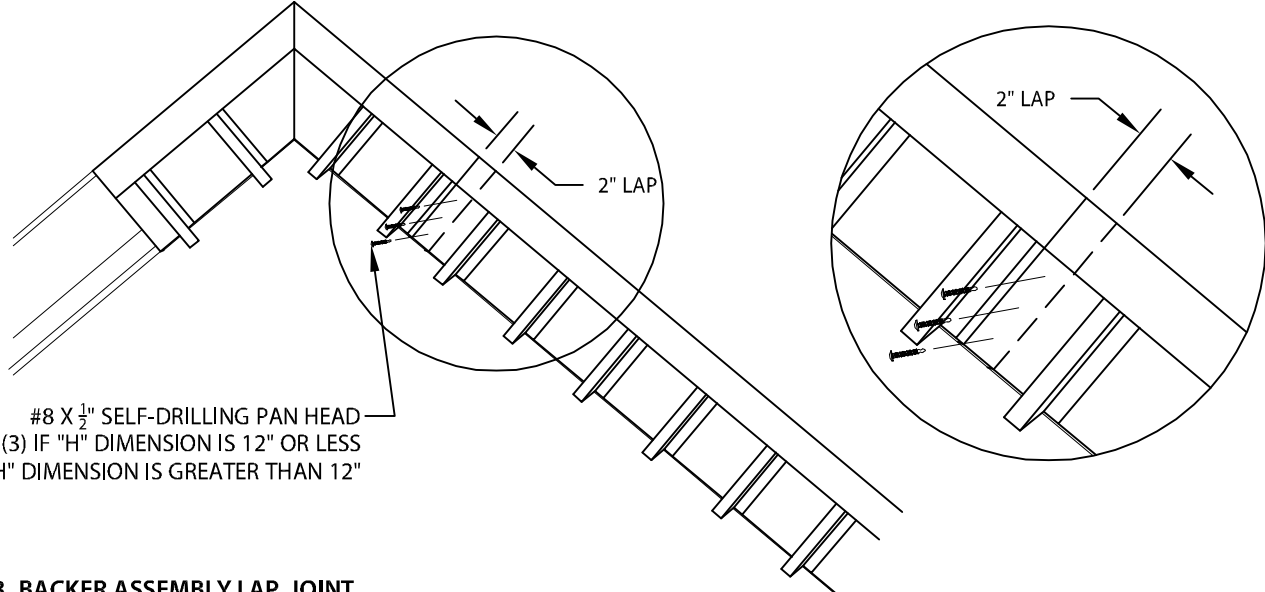
DWG# 38127-10890

D

# TECHNI-FLO RF

WITH VERTICAL "Z" BRACKETS

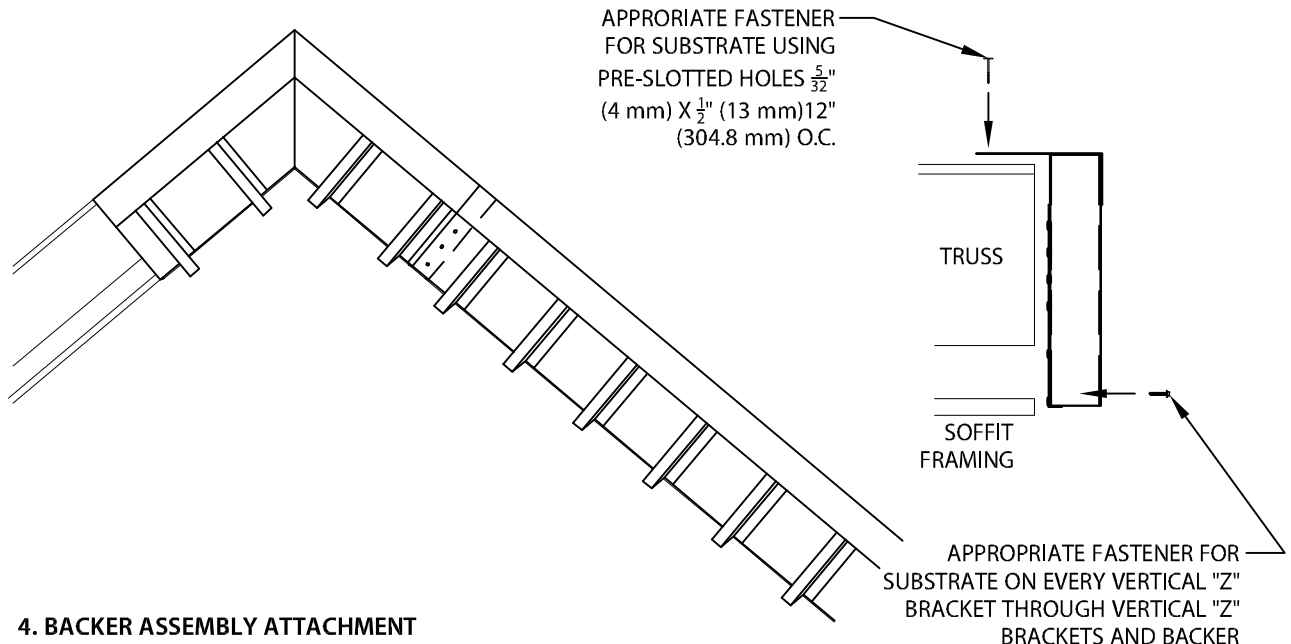
## INSTALLATION INSTRUCTIONS



#8 X 1/2" SELF-DRILLING PAN HEAD  
 (3) IF "H" DIMENSION IS 12" OR LESS  
 (6) IF "H" DIMENSION IS GREATER THAN 12"


### 3. BACKER ASSEMBLY LAP JOINT

LAP ONE 12'-0" PIECE OF BACKER ASSEMBLY 2" OVER THE MITER BACKER ASSEMBLY AS SHOWN. FASTEN THE 24 GA. GALV. BACKER OF THE 12'-0" PIECE TO THE 24 GA. GALV. BACKER OF THE MITER USING #8 X 1/2" SELF-DRILLING PAN HEAD FASTENERS. USE 3 FASTENERS FOR "H" DIMENSIONS 12" OR LESS AND 6 FASTENERS FOR "H" DIMENSIONS GREATER THAN 12". FASTENERS CAN BE INSTALLED FROM FRONT TO BACK OR BACK TO FRONT, AS BEST FOR YOUR APPLICATION (FASTENERS SHOWN FROM FRONT TO BACK). NO FASTENERS NECESSARY AT THE CONTINUOUS ROOF FLANGE LAP JOINT.



### 4. BACKER ASSEMBLY ATTACHMENT

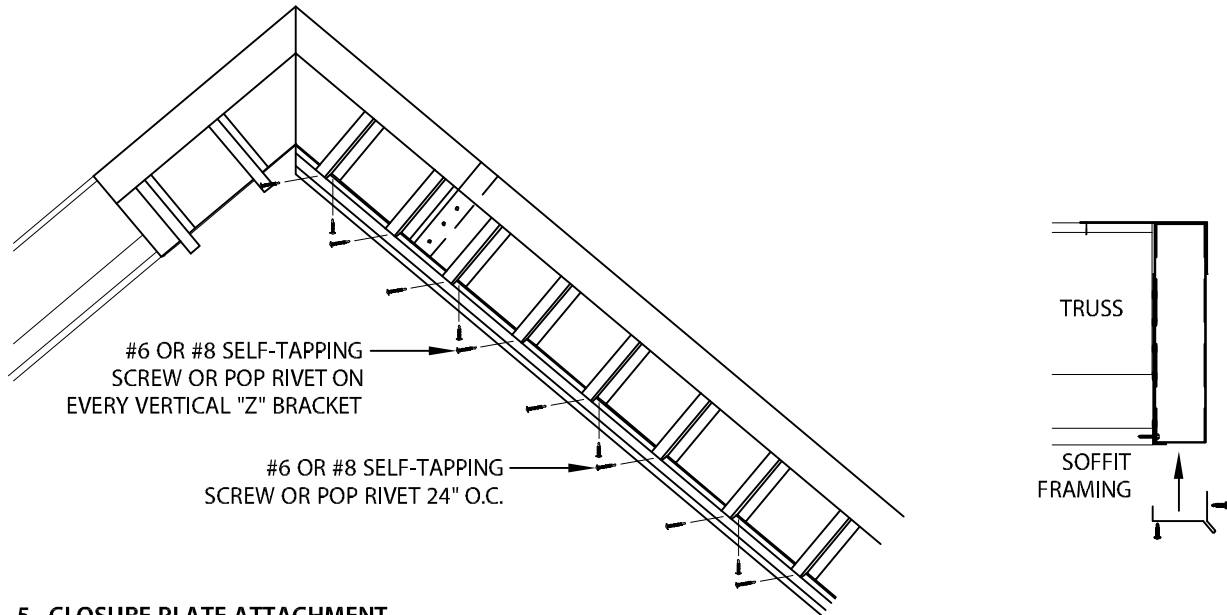
ATTACH THE ROOF FLANGE OF THE BACKER ASSEMBLY TO THE TOP OF THE SHEATHING WITH AN APPROPRIATE FASTENER FOR THE SUBSTRATE USING THE PRE-SLOTTED HOLES AT 5/32" (4 mm) X 1/2" (13 mm) 12" (304.8 mm) O.C. ATTACH THE BACKER ASSEMBLY THROUGH THE VERTICAL "Z" BRACKETS AND BACKER USING APPROPRIATE FASTENER FOR SUBSTRATE ON EVERY VERTICAL "Z" BRACKET.

		Phone: 855-542-0918 Fax: 800-770-3934 <a href="http://roof.atlasroofing.com">roof.atlasroofing.com</a>	
		DATE: 01/17/12	SHT.# <u>3</u> OF <u>7</u>
DRN BY: JJC		DWG# 38127-10890	
CKD BY: SAK			

# TECHNI-FLO RF

WITH VERTICAL "Z" BRACKETS

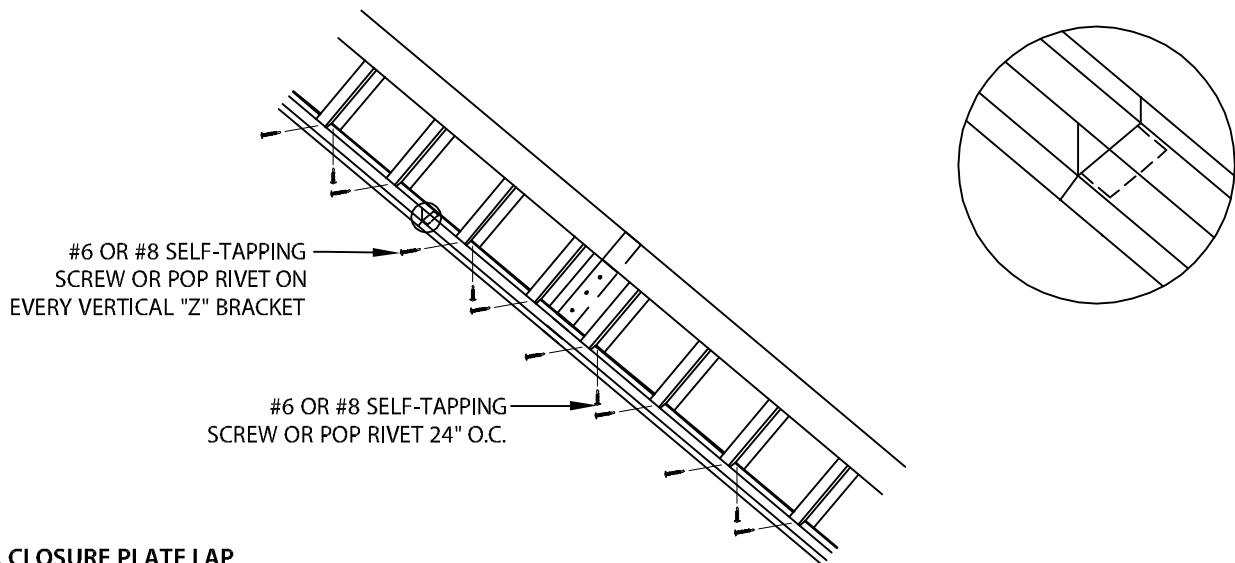
## INSTALLATION INSTRUCTIONS



### 5. CLOSURE PLATE ATTACHMENT

STARTING AT THE CORNER, ALIGN A 12'-0" PIECE OF CLOSURE PLATE WITH THE BOTTOM OF THE BACKER ASSEMBLY. NOTE: THE  $\frac{1}{2}$ " VERTICAL TAB OF THE CLOSURE PLATE SHOULD BE BEHIND THE 24 GA. GALV. BACKER. FASTEN THE FRONT OF THE CLOSURE PLATE TO EVERY VERTICAL "Z" BRACKET AND FASTEN THE  $\frac{1}{2}$ " VERTICAL TAB OF THE CLOSURE PLATE TO THE BACKER OR FASTEN THE BOTTOM OF THE CLOSURE PLATE TO THE BOTTOM TAB OF THE BACKER (FASTENER SHOWN AT THE BOTTOM OF THE CLOSURE PLATE TO THE BOTTOM TAB OF THE BACKER) AT 24" O.C. USING #6 OR #8 SELF-TAPPING SCREW OR POP RIVET.

NOTE: MITER OF CLOSURE PLATE IS DONE IN THE FIELD.



### 6. CLOSURE PLATE LAP

LAP ONE 12'-0" PIECE OF CLOSURE PLATE 1" OVER THE PIECE OF CLOSURE PLATE ALREADY INSTALLED AT THE CORNER AS SHOWN. NO FASTENERS NECESSARY AT LAP JOINT.



Phone: 855-542-0918  
 Fax: 800-770-3934  
 roof.atlasroofing.com

DATE: 01/17/12

SHT.# 4 OF 7

DRN BY: JJC

CKD BY: SAK

DWG# 38127-10890

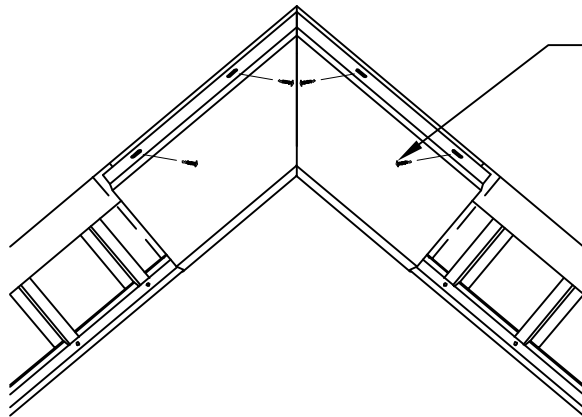
D

# TECHNI-FLO RF

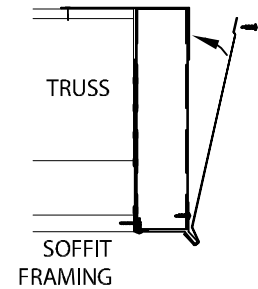
WITH VERTICAL "Z" BRACKETS

INSTALLATION INSTRUCTIONS

## CONTINUE WITH STEPS 7-8 FOR LAP JOINT VERSION GO TO STEP 9 FOR SPLICE PLATE VERSION



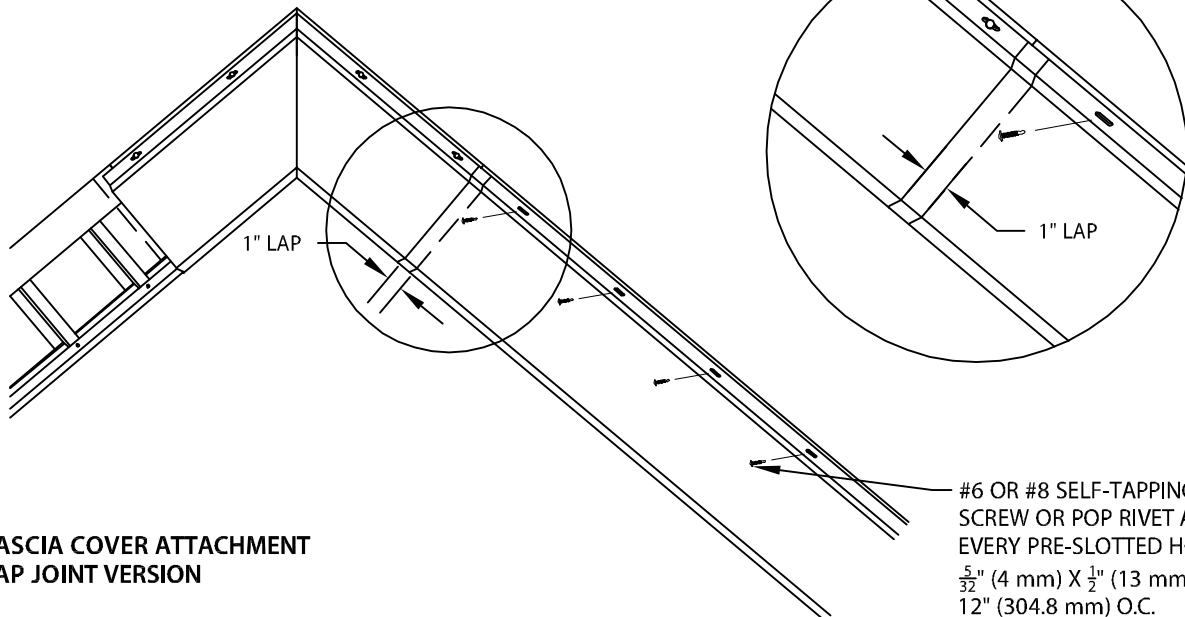
#6 OR #8 SELF-TAPPING  
SCREW OR POP RIVET AT  
EVERY PRE-SLOTTED HOLE  
 $\frac{5}{32}$ " (4 mm) X  $\frac{1}{2}$ " (13 mm)  
12" (304.8 mm) O.C.



### 7. MITER FASCIA COVER ATTACHMENT - PEAK MITER SHOWN LAP JOINT VERSION

HOOK THE BOTTOM OF THE MITER FASCIA COVER UNDER THE DRIP END OF THE CLOSURE PLATE. ROTATE THE MITER FASCIA COVER AND FASTEN THE TOP OF THE MITER FASCIA COVER USING THE PRE-SLOTTED HOLES AT  $\frac{5}{32}$ " (4 mm) X  $\frac{1}{2}$ " (13 mm) 12" O.C. USING A #6 OR #8 SELF-TAPPING SCREW OR POP RIVET AT EVERY SLOTTED HOLE.

REFERENCE THE EAVE INSTALLATION INSTRUCTIONS FOR THE EAVE TO  
RAKE MITER FASCIA COVER ATTACHMENT



### 8. FASCIA COVER ATTACHMENT LAP JOINT VERSION

LAPPING ONE 12'-0" PIECE OF FASCIA COVER 1" OVER THE FASCIA COVER, HOOK THE BOTTOM OF THE FASCIA COVER UNDER THE DRIP END OF THE CLOSURE PLATE. ROTATE THE FASCIA COVER AND FASTEN THE TOP OF THE COVER USING THE PRE-SLOTTED HOLES AT  $\frac{5}{32}$ " (4 mm) X  $\frac{1}{2}$ " (13 mm) 12" O.C. USING A #6 OR #8 SELF-TAPPING SCREW OR POP RIVET AT EVERY SLOTTED HOLE. NO FASTENERS NECESSARY AT THE CONTINUOUS FASCIA COVER LAP JOINT.



Phone: 855-542-0918  
Fax: 800-770-3934  
roof.atlasroofing.com

DATE: 01/17/12

SHT.# 5 OF 7

DRN BY: JJC

CKD BY: SAK

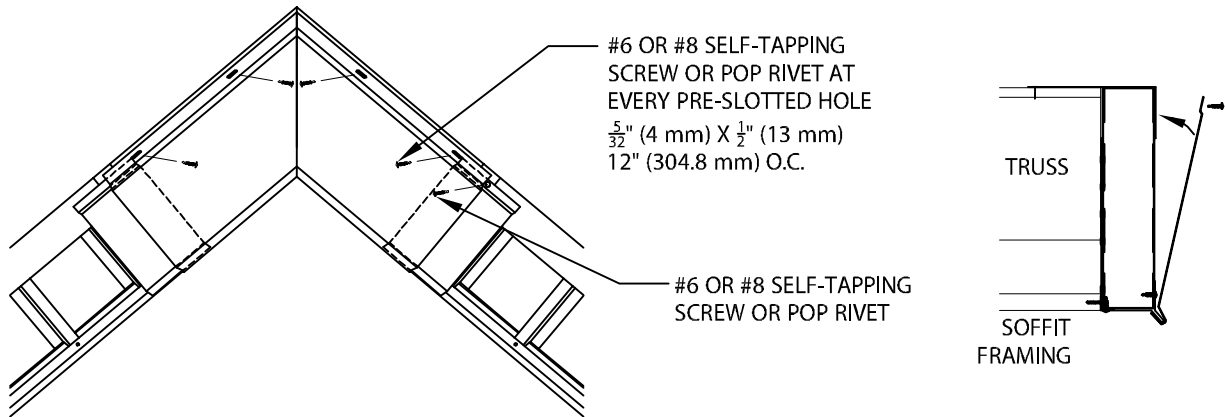
DWG# 38127-10890

D

# TECHNI-FLO RF

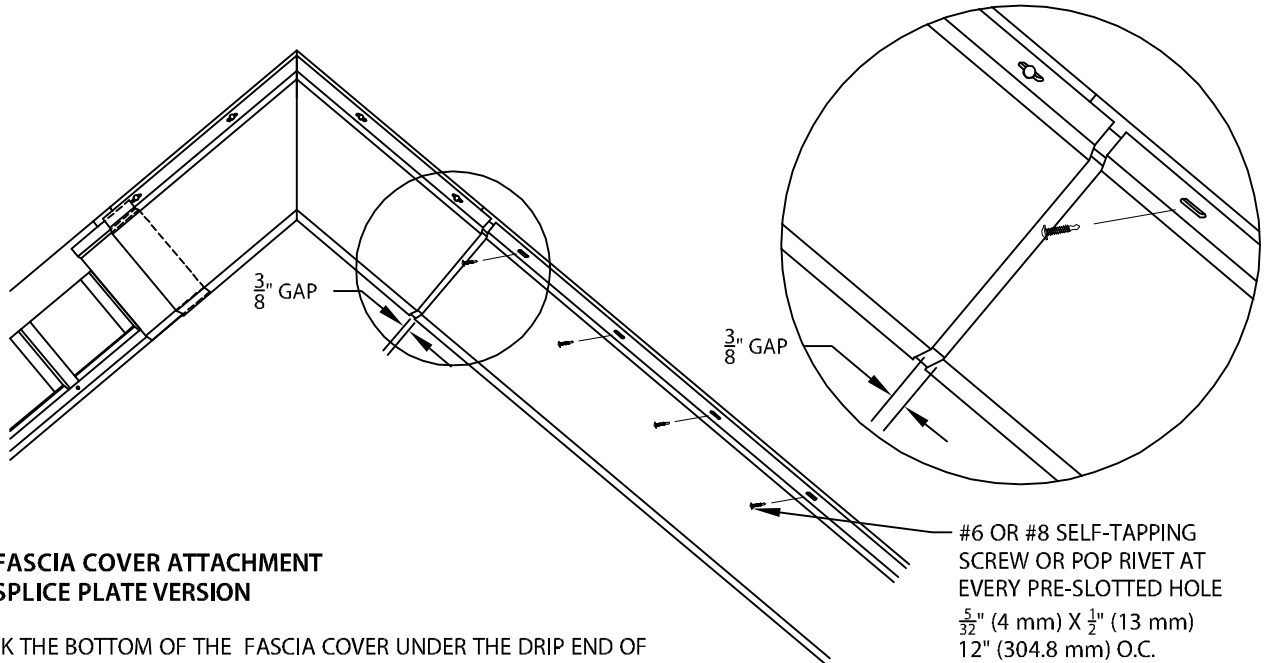
## WITH VERTICAL "Z" BRACKETS

### INSTALLATION INSTRUCTIONS



#### 9. MITER FASCIA COVER ATTACHMENT - PEAK MITER SHOWN SPLICE PLATE VERSION

POSITION  $3\frac{1}{2}$ " SPLICE PLATE CENTERED BEHIND FASCIA COVER AS SHOWN (MITER FASCIA COVER SHOWN). USING #6 OR #8 SELF-TAPPING SCREW OR POP RIVET FASTEN THE TOP OF THE EXPOSED END OF THE SPLICE PLATE TO THE FACE OF THE CONTINUOUS ROOF FLANGE AS SHOWN. HOOK THE BOTTOM OF THE MITER FASCIA COVER UNDER THE DRIP END OF THE CLOSURE PLATE. ROTATE THE MITER FASCIA COVER AND FASTEN THE TOP OF THE MITER FASCIA COVER USING THE PRE-SLOTTED HOLES AT  $\frac{5}{32}$ " (4 mm) X  $\frac{1}{2}$ " (13 mm) 12" O.C. USING A #6 OR #8 SELF-TAPPING SCREW OR POP RIVET AT EVERY SLOTTED HOLE.



#### 10. FASCIA COVER ATTACHMENT SPLICE PLATE VERSION

HOOK THE BOTTOM OF THE FASCIA COVER UNDER THE DRIP END OF THE CLOSURE PLATE. ROTATE THE FASCIA COVER AND FASTEN THE TOP OF THE COVER USING THE PRE-SLOTTED HOLES AT  $\frac{5}{32}$ " (4 mm) X  $\frac{1}{2}$ " (13 mm) 12" O.C. USING A #6 OR #8 SELF-TAPPING SCREW OR POP RIVET AT EVERY SLOTTED HOLE. LEAVE A  $\frac{3}{8}$ " GAP BETWEEN THE FASCIA COVERS TO ALLOW FOR THERMAL EXPANSION.



Phone: 855-542-0918  
Fax: 800-770-3934  
roof.atlasroofing.com

DATE: 01/17/12

SHT.# 6 OF 7

DRN BY: JJC

CKD BY: SAK

DWG# 38127-10890

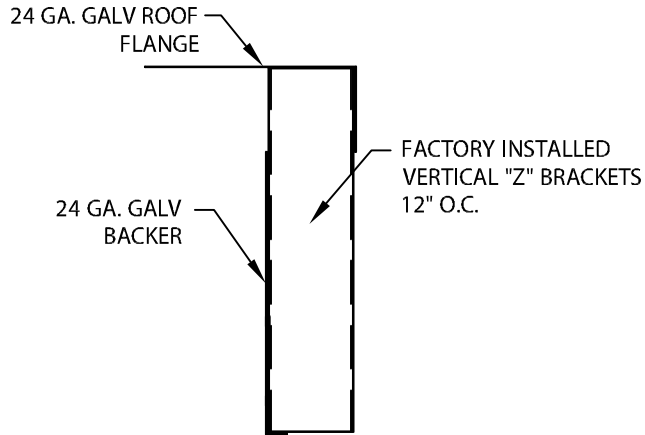
D

# TECHNI-FLO RF

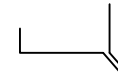
WITH VERTICAL "Z" BRACKETS

INSTALLATION INSTRUCTIONS

## TYPICAL COMPONENT LIST



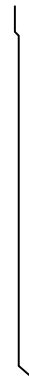
**BACKER ASSEMBLY**  
12'-0" LENGTHS:  
FACTORY ASSEMBLED 24 GA.  
GALV. ROOF FLANGE, 24 GA.  
GALV. BACKER, AND VERTICAL "Z"  
BRACKETS 12" O.C.



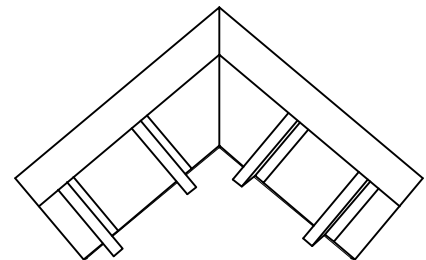
**24 GA. GALV. CLOSURE PLATE,**  
12'-0" LENGTHS



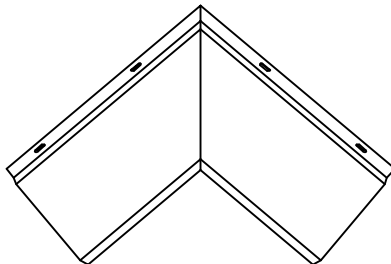
**FASCIA COVER**  
12'-0" LENGTHS



**COVER SPLICE PLATE**  
3 1/2" LENGTHS  
(WHEN APPLICABLE)



**MITER BACKER ASSEMBLY:**  
PEAK MITER SHOWN  
(WHEN APPLICABLE)



**MITER FASCIA COVER:**  
PEAK MITER SHOWN  
(WHEN APPLICABLE)



Phone: 855-542-0918  
Fax: 800-770-3934  
roof.atlasroofing.com

DATE: 01/17/12

SHT.# 7 OF 7

DRN BY: JJC

CKD BY: SAK

DWG# 38127-10890

D