

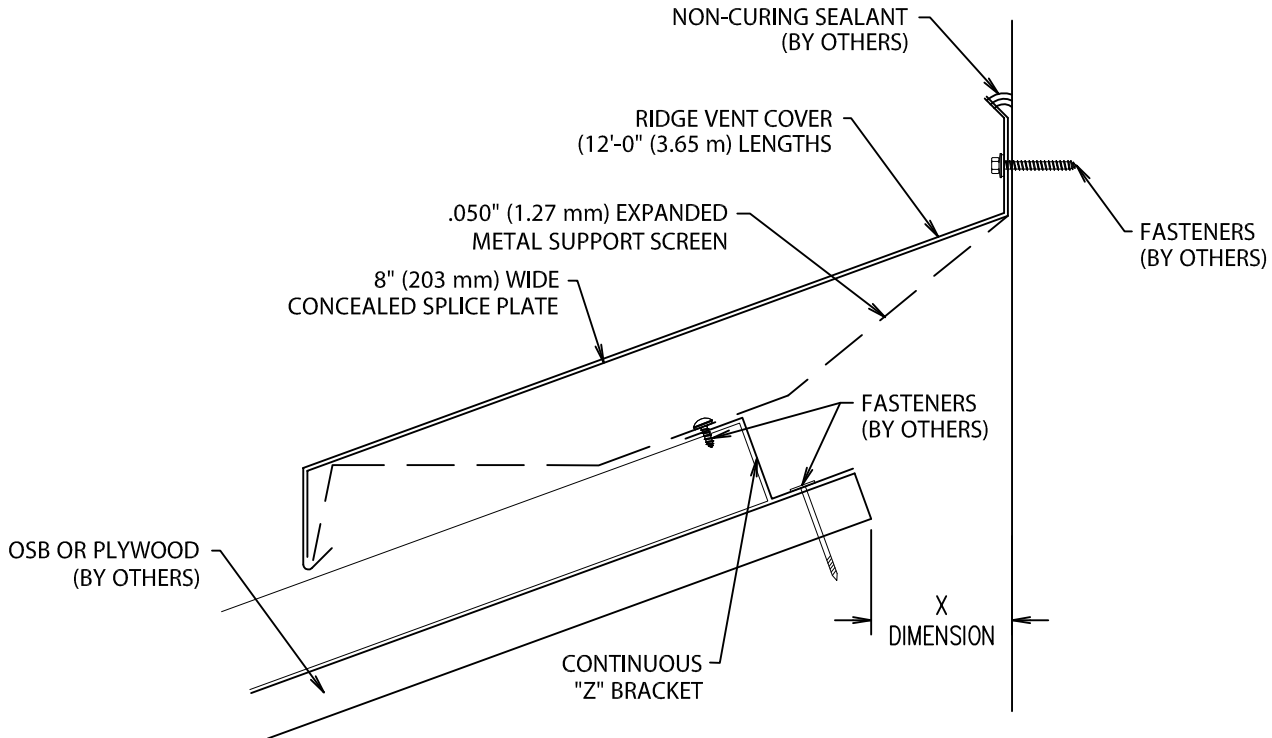
TECHNI-FLO RV

SLOPED ROOF MEETS HIGH WALL, STANDING SEAM VERSION

INSTALLATION INSTRUCTIONS

U.S. PATENT # 7,823,343 B1

DETAIL A



ATLAS ROOFING PROCESS
ENGINEER PLEASE
SPECIFY



X DIMENSION

CAUTION! INSTALLERS SHALL WEAR PROTECTIVE EYE WEAR TO PREVENT INJURY. DO NOT OVERDRIVE FASTENERS, AS STRIPPING CAN OCCUR AT HIGH DRIVER TORQUE. RECOMMENDED DRIVING TOOL: 600 - 800 rpm ELECTRIC DRILL EQUIPPED WITH DEPTH-SENSING NOSE-PIECE TO PREVENT DRIVING AND STRIPOUT. DO NOT USE IMPACT TYPE TOOL.

IMPORTANT! BE SURE TO REMOVE PROTECTIVE PLASTIC FILM PRIOR TO INSTALLING EACH COVER SECTION.

NOTE: ALL FASTENERS MUST MEET MINIMUM 240 LB. PULL-OUT FOR SUBSTRATE.



Phone: 855-542-0918
Fax: 800-770-3934
roof.atlasroofing.com

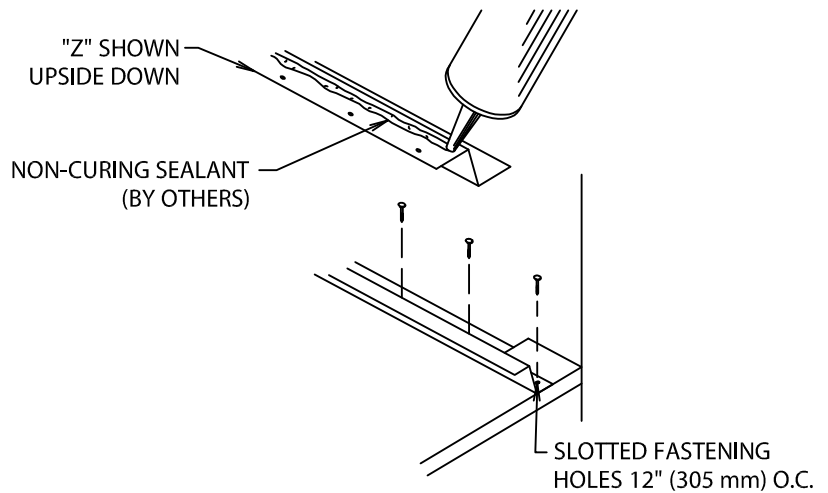
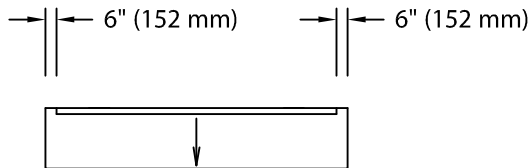
DATE: 06/01/11	SHT.# 1 OF 4
DRN BY: JJC	DWG# 38124-13653 A
CKD BY: SAK	

TECHNI-FLO RV

SLOPED ROOF MEETS HIGH WALL, STANDING SEAM VERSION

INSTALLATION INSTRUCTIONS

U.S. PATENT # 7,823,343 B1



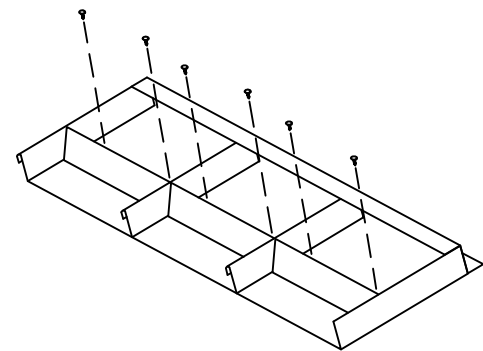
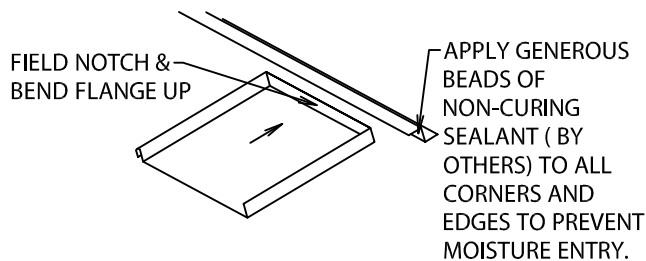
1. PREPARE RIDGE

CUT OPENING AT RIDGE "X" DIMENSION. (SEE DETAIL "A".)

2. MOUNTING BRACKETS

TO PREVENT MOISTURE ENTRY UNDER THE "Z", APPLY A GENEROUS BEAD OF NON-CURING SEALANT (BY OTHERS) TO BOTTOM OF FLANGE. FASTEN BRACKETS AT ROOF AT 6" (152 mm) O.C. WITH APPROPRIATE FASTENERS USING PRE-PUNCHED SLOTTED HOLES. LAP "Z'S" 1" (25 mm).

NOTE: FOAM/SEALANT SHOULD BE PLACED BETWEEN THE "Z" AND HIGH WALL OVER THE OSB ON THE LAST 6" (152 mm) AT BOTH ENDS (SEE STEP 1)



3. STANDING SEAM ROOFING

FOLLOW MANUFACTURER'S RECOMMENDATIONS FOR TERMINATING STANDING SEAM AT RIDGE VENT CHANNEL. SEE ABOVE FOR TYPICAL DETAIL.

4. STANDING SEAM DEFLECTOR

PROVIDED FOR 4/12 PITCH OR LESS IN 12'-0" (3.65 m) LENGTHS TO BE CUT IN FIELD TO FIT BETWEEN THE STANDING SEAMS. CUT DEFLECTORS $\frac{3}{8}$ " (10 mm) SHORTER THAN THE MEASURED DISTANCE BETWEEN STANDING SEAMS. CENTER BETWEEN SEAMS ALLOWING $\frac{3}{16}$ " (5 mm) GAP AT BOTH ENDS FOR RESIDUAL WATER DRAINAGE. FASTEN WITH #10 x $\frac{3}{4}$ " (19 mm) TEK SCREWS WITH BOND SEAL WASHERS AS SHOWN.



Phone: 855-542-0918
Fax: 800-770-3934
roof.atlasroofing.com

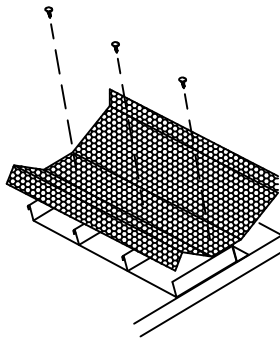
DATE: 06/01/11	SHT.# 2 OF 4
DRN BY: JJC	DWG# 38124-13653 A
CKD BY: SAK	

TECHNI-FLO RV

SLOPED ROOF MEETS HIGH WALL, STANDING SEAM VERSION

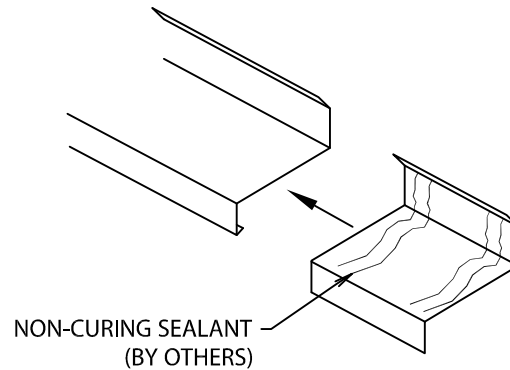
INSTALLATION INSTRUCTIONS

U.S. PATENT # 7,823,343 B1



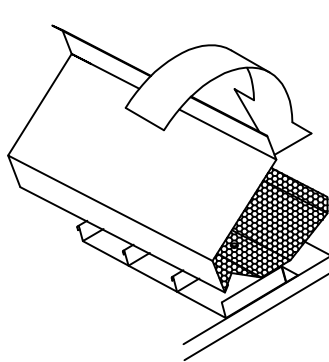
5. EXPANDED METAL SUPPORT SCREEN

PLACE SUPPORT SCREEN CENTERED OVER "Z" BRACKET. FASTEN AT 12" (305 mm) O.C. TO "Z" BRACKET. LAP SUPPORT SCREENS 1" (25 mm).



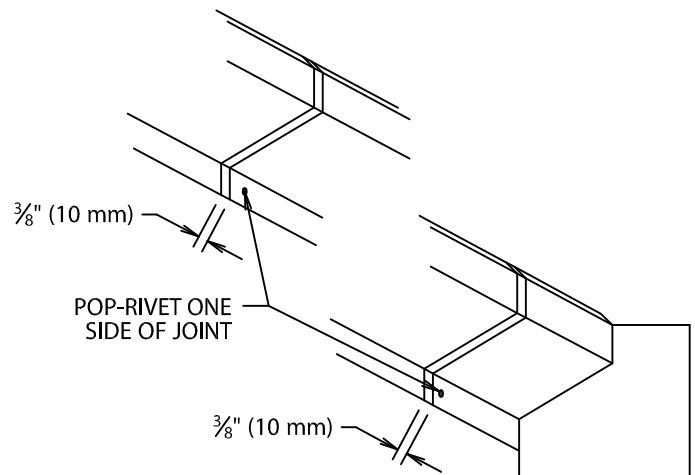
6. SPLICE PLATES

8" (203 mm) WIDE CONCEALED SPLICE PLATE SUPPLIED AT EACH COVER JOINT. APPLY NON-CURING SEALANT (BY OTHERS) TO TOP OF SPLICE PLATES AS SHOWN. INSTALL THE SPLICE PLATE INTO ONE END OF 12'-0" (3.65 m) COVER SO THAT HALF THE SPLICE PLATE IS EXPOSED.



7. COVER

SNAP COVER INTO PLACE STARTING AT SLOPED END. HOOK THE EXPANDED METAL SUPPORT SCREEN INTO THE COVER LIP. ROTATE COVER DOWNWARD.



8. POP-RIVET

POP-RIVET SPLICE TO ONE SIDE JOINT TO PREVENT JOINT MIGRATION. CONTINUE INSTALLING COVER WITH A $\frac{3}{8}$ " (10 mm) SPACE AT SPLICE PLATES TO ALLOW FOR THERMAL EXPANSION FIELD CUT WHERE REQUIRED USING A FINE TOOTH HACKSAW.

INSTALL THE END CAP (STYLE A SHOWN) IN THE SAME FASHION.

NOTE: REMOVE PROTECTIVE FILM IMMEDIATELY.



Phone: 855-542-0918
Fax: 800-770-3934
roof.atlasroofing.com

DATE: 06/01/11

SHT.# 3 OF 4

DRN BY: JJC

CKD BY: SAK

DWG# 38124-13653

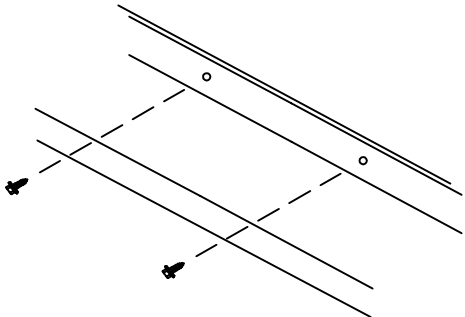
A

TECHNI-FLO RV

SLOPED ROOF MEETS HIGH WALL, STANDING SEAM VERSION

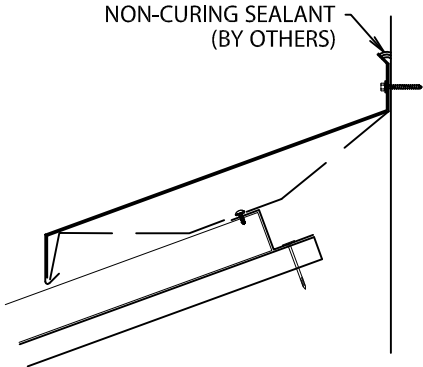
INSTALLATION INSTRUCTIONS

U.S. PATENT # 7,823,343 B1



9. FASTEN

FASTEN TO WALL 12" (305 mm) O.C. WITH APPROPRIATE FASTENERS USING PRE-PUNCHED SLOTTED HOLES. NOTE: ONE FASTENER REQUIRED FOR EACH END CAP.



10. SEALANT

TO PREVENT MOISTURE ENTRY BEHIND THE "CAULK LIP", APPLY A GENEROUS BEAD OF NON-CURING SEALANT (BY OTHERS) BETWEEN THE "CAULK LIP" AND THE HIGH WALL



Phone: 855-542-0918
Fax: 800-770-3934
roof.atlasroofing.com

DATE: 06/01/11	SHT.# 4 OF 4
DRN BY: JJC	DWG# 38124-13653 A
CKD BY: SAK	