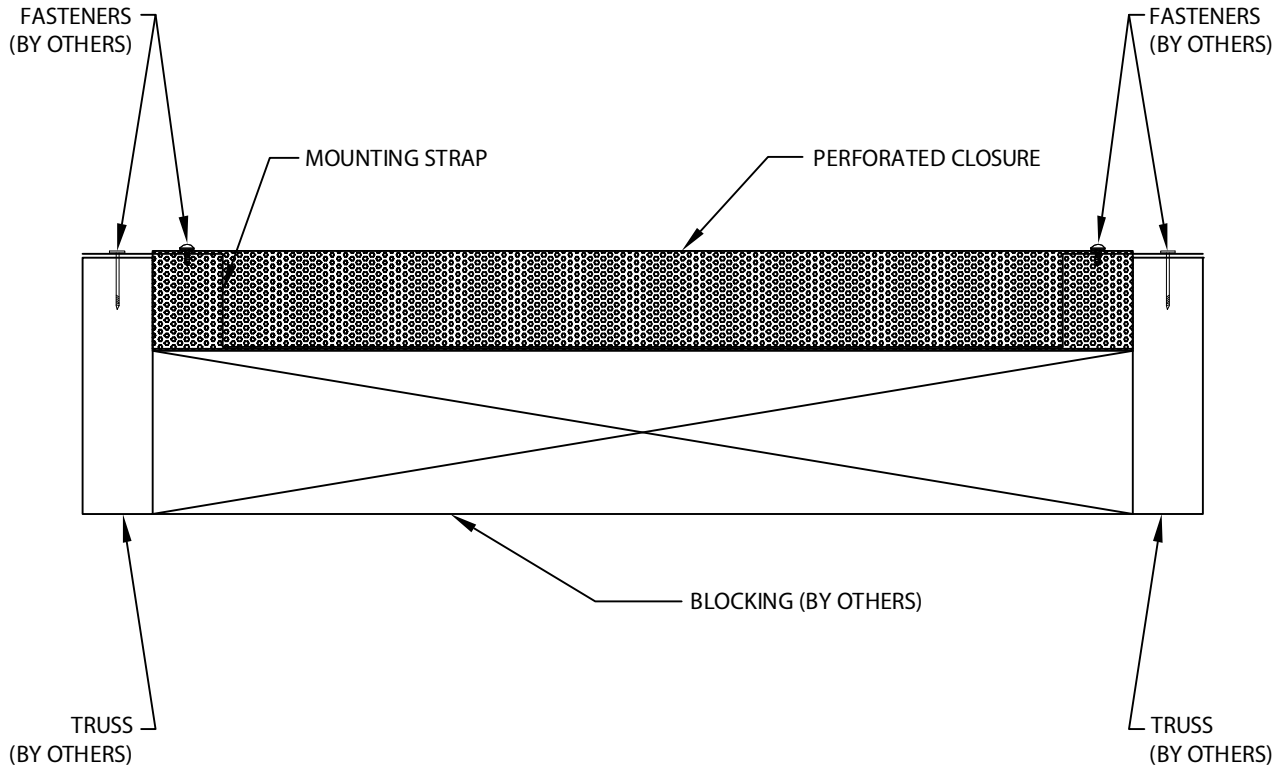


TECHNI-FLO TB

INSTALLATION INSTRUCTIONS

DETAIL A



CAUTION! INSTALLERS SHALL WEAR PROTECTIVE EYE WEAR TO PREVENT INJURY. DO NOT OVERDRIVE FASTENERS, AS STRIPPING CAN OCCUR AT HIGH DRIVER TORQUE. RECOMMENDED DRIVING TOOL: 600 - 800 rpm ELECTRIC DRILL EQUIPPED WITH DEPTH-SENSING NOSE-PIECE TO PREVENT DRIVING AND STRIPOUT. DO NOT USE IMPACT TYPE TOOL.



Phone: 855-542-0918
Fax: 800-770-3934
roof.atlasroofing.com

DATE: 3/10/11

SHT.# 1 OF 2

DRN BY: MRK

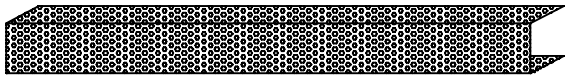
CKD BY: SAK

DWG# 38118-12681

B

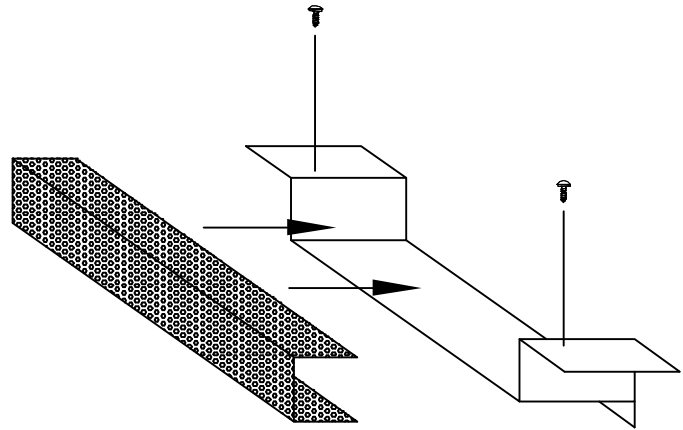
TECHNI-FLO TB

INSTALLATION INSTRUCTIONS



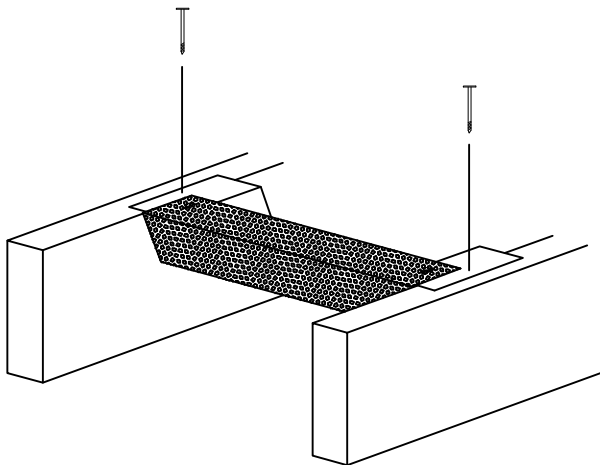
1. PREPARE PERFORATED CLOSURE

FIELD CUT PERFORATED CLOSURE TO FIT IN BETWEEN TRUSSES.



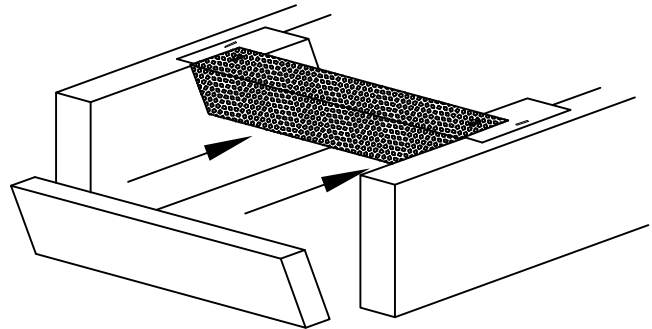
2. PERFORATED CLOSURE

SLIDE FIELD CUT PERFORATED CLOSURE ON TO MOUNTING STRAP DESIGNED FOR TRUSS SPACING. FASTEN PERFORATED CLOSURE TO MOUNTING STRAP.



3. MOUNTING STRAP

ATTACH MOUNTING STRAP/PERFORATED CLOSURE ASSEMBLY TO TOP OF TRUSS. FASTEN WITH APPROPRIATE FASTENERS.



4. COMPLETION

INSTALL BLOCKING (BY OTHERS) UNDER HI-PERF TRUSS VENT TO CLOSE OFF ATTIC. SEE DETAIL A ON PAGE 1.



Phone: 855-542-0918
Fax: 800-770-3934
roof.atlasroofing.com

DATE: 3/10/11

SHT.# 2 OF 2

DRN BY: MRK

CKD BY: SAK

DWG# 38118-12681

B