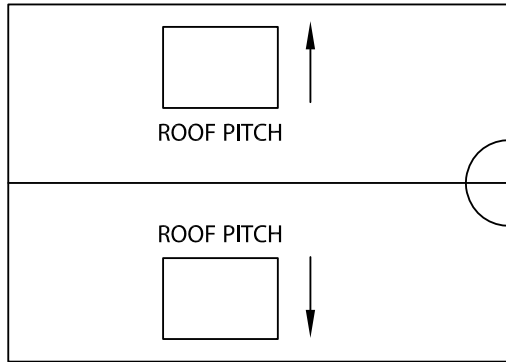


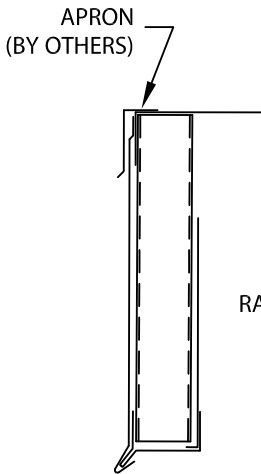
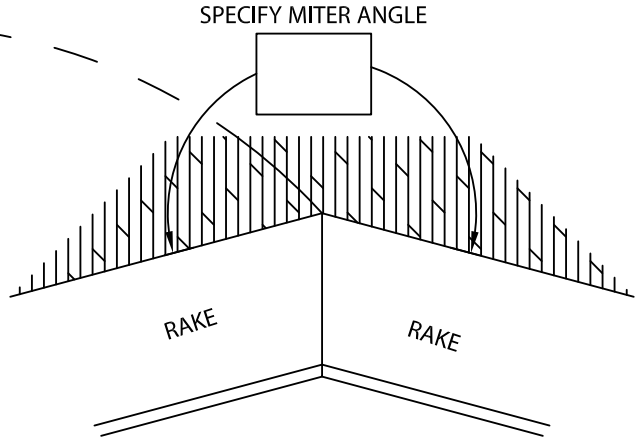
REFERENCE DETAIL:

TECHNI-FLO SYSTEM MITER

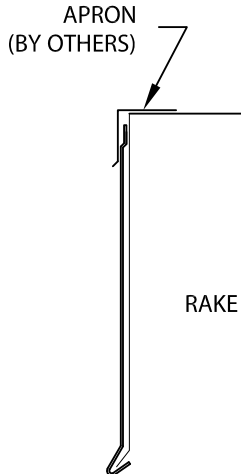
PEAK VERSION



GABLE ROOF PLAN



RAKE FASCIA



RAKE PANEL

- SPECIFY REQUIRED CONDITION:
- RAKE FASCIA
 - RAKE PANEL

ATLAS ROOFING CAN NOT BE RESPONSIBLE FOR OIL CANNING THAT MAY OCCUR IN LIGHT GAUGE MATERIALS ON LARGE FASCIA HEIGHTS - CALL FOR RECOMMENDATIONS

Fabrication will proceed only after receipt of signed print approval.

Print Approval:

Architect and/or contractor shall verify all dimensions, sizes and quantities. All products to be installed in strict accordance with Atlas Roofing's printed instructions.

Approved by: _____

Date: _____

COVER:

- 24 Ga. (.65 mm) Galv. Steel
- 22 Ga. (.81 mm) Galv. Steel
- .040" (1.01 mm) Aluminum
- .050" (1.27 mm) Aluminum
- .063" (1.60 mm) Aluminum
- Other _____

Color: _____

Finish: _____

CLOSURE PLATE:

- 24 Ga. (.65 mm) Bone White
- 24 Ga. (.65 mm) Dark Bronze
- 24 Ga. (.65 mm) Sandstone
- 24 Ga. (.65 mm) Slate Gray

QUANTITIES:

_____ Peak Miters

PROJECT:

ARCHITECT:

CONTRACTOR:

REPRESENTATIVE:



Phone: 855-542-0918
 Fax: 800-770-3934
 roof.atlasroofing.com

DATE: 3/10/11

DRN BY: MRK

CKD BY: SAK

SHT.# ___ OF ___

DWG# 38018-10912

B