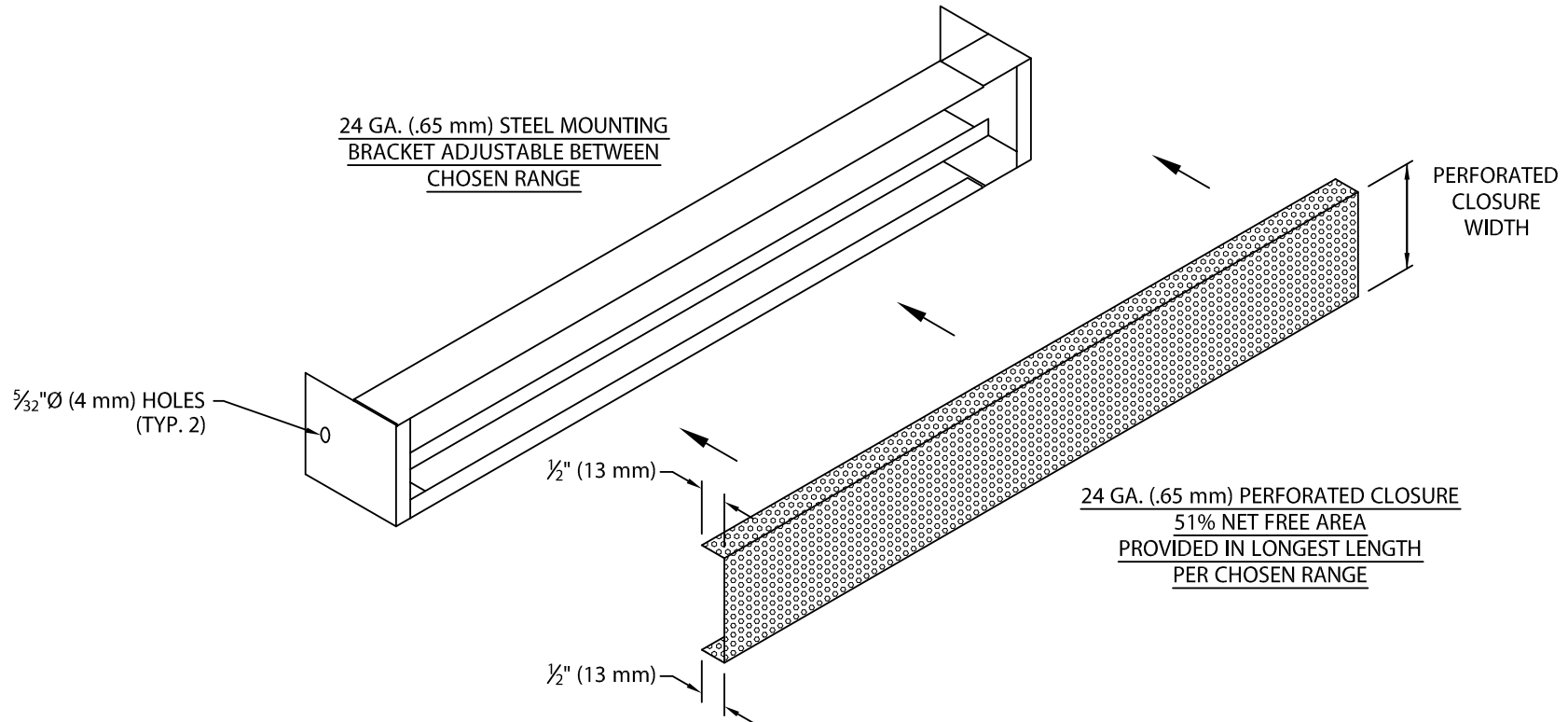


REFERENCE DETAIL:

# TECHNI-FLO TV

TRUSS VENT



TRUSS VENT IS TO BE INSTALLED PER SPECIFICATIONS AND ATLAS'S INSTALLATION INSTRUCTIONS DWG #38132-12681

Fabrication will proceed only after receipt of signed print approval.  
**Print Approval:**  
 Architect and/or contractor shall verify all dimensions, sizes and quantities. All products to be installed in strict accordance with Atlas Roofing's printed instructions.  
 Approved by: \_\_\_\_\_  
 Date: \_\_\_\_\_

**TRUSS SPACING:**

- 14" to 20"
- 20" to 28"
- 28" to 40"
- 40" to 58"

**PERFORATED CLOSURE:**

- 12 Sq In NFA (2" Width)
- 18 Sq In NFA (3" Width)
- 24 Sq In NFA (4" Width)
- Other \_\_\_\_\_

**MATERIAL:**

- 24 Ga. (.65 mm) Bone White
- 24 Ga. (.65 mm) Sandstone
- 24 Ga. (.65 mm) Dark Bronze
- 24 Ga. (.65 mm) Slate Gray

PROJECT: \_\_\_\_\_  
 ARCHITECT: \_\_\_\_\_  
 CONTRACTOR: \_\_\_\_\_  
 REPRESENTATIVE: \_\_\_\_\_

**QUANTITIES:**

\_\_\_\_\_ Each



Phone: 855-542-0918  
 Fax: 800-770-3934  
 roof.atlasroofing.com

DATE: 05/25/11  
 DRN BY: JJC  
 CKD BY: SAK

SHT.# \_\_\_ OF \_\_\_  
 DWG# 38032-12680

**A**