



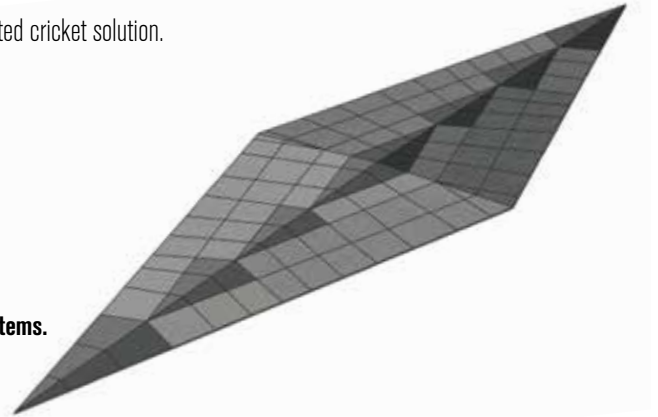
SureSlope™ CKT

Pre-Cut Cricket

DESCRIPTION: SureSlope™ Pre-Cut Crickets (CKT) are produced with a closed-cell polyisocyanurate (polyiso) foam core integrally bonded to non asphaltic, glass fiber reinforced organic felt or inorganic coated-glass facers.

The dimensionally stable SureSlope CKT provides a standardized, pre-fabricated cricket solution.

- Available with ACFoam®-II, ACFoam®-III and Facer Technology
- Hinged Triangular One-Piece Pre-Cut Tapered and Fill Panels
- Standardized 3:1 (length:Width) Ratio
- Slope: 0.5" per ft & 0.25" per ft
- Fully Compatible with Standard 4'x4' Tapered Panels
- Used in Built-Up (BUR), Modified Bitumen, Ballasted Single-Ply, Mechanically Attached Single-Ply and Adhered Single-Ply Roofing Systems.

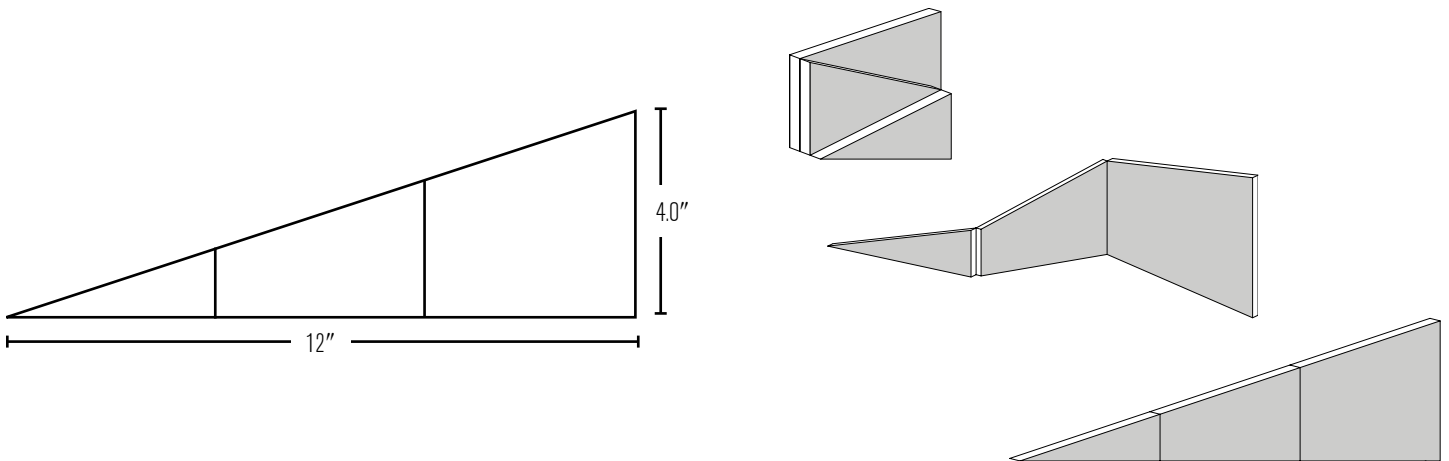


DIMENSIONS & PACKAGING

PANEL	THICKNESS			AVERAGE LTTR VALUE	RSI	PRODUCT DIMENSIONS		PIECES PER PACKAGE
	minimum	maximum	average			width	length	
X	0.5" (12.7mm)	1.5" (38.1mm)	1.0" (25.4mm)	5.7	1.00	4' (1220mm)	12' (3658mm)	4
Y	1.5" (38.1mm)	2.5" (63.5mm)	2.0" (50.8mm)	11.4	2.01	4' (1220mm)	12' (3658mm)	2
Q	0.5" (12.7mm)	2.5" (63.5mm)	1.5" (38.1mm)	8.6	1.51	4' (1220mm)	12' (3658mm)	2
2"	2.0" (50.8mm)	2.0" (50.8mm)	2.0" (50.8mm)	11.4	2.01	4' (1220mm)	12' (3658mm)	2

*RSI is the metric expression of R-value (m² • K/W)

TYPICAL CROSS SECTIONS:



Other than the aforementioned representations and descriptions, Atlas Roofing Corporation (hereafter, "Seller") makes no other representations or warranties as to the insulation sold herein. The Seller disclaims all other warranties, express or implied, including the warranty of merchantability and the warranty of fitness for a particular purpose. Seller does, however, have a limited warranty as to the LTTR-Value of the insulation, the terms of which are available upon request from the Seller. Seller shall not be liable for any incidental or consequential damages including but not limited to the cost of installation, removal, repair or replacement of this product. Buyer's remedies shall be limited exclusively to, at Seller's option, the repayment of the purchase price or resupply of product manufactured by Atlas in a quantity equal to that of the nonconforming product. Atlas distributors, agents, salespersons or other independent representatives have no authority to waive or alter the above limitation of liability and remedies.

