



SureSlope™ TES

Tapered Edge Strip

DESCRIPTION: SureSlope™ Tapered Edge Strip (TES) is produced with a closed-cell polyisocyanurate (polyiso) foam core integrally bonded to non-asphaltic, fiber reinforced organic felt or inorganic coated-glass facers. Dimensionally stable SureSlope TES provides a Zero Edge™ polyiso tapered insulation transition of either 1.0" per ft. or 1.5" per ft.

- **Available with ACFoam®-II and *ACFoam®-III Facer Technology**
**2.0"×24" TES only. Minimum order quantities and extended lead times may apply.*
- **Field Insulation Transitions**
- **Cricket Fabrication**
- **Drain Sump Fabrication**
- **Roof Perimeter Slope Enhancement**
- **Used in Build-Up (BUR), Modified Bitumen, Ballasted Single-Ply, Mechanically Attached Single-Ply and Adhered Single-Ply Roofing Systems.**



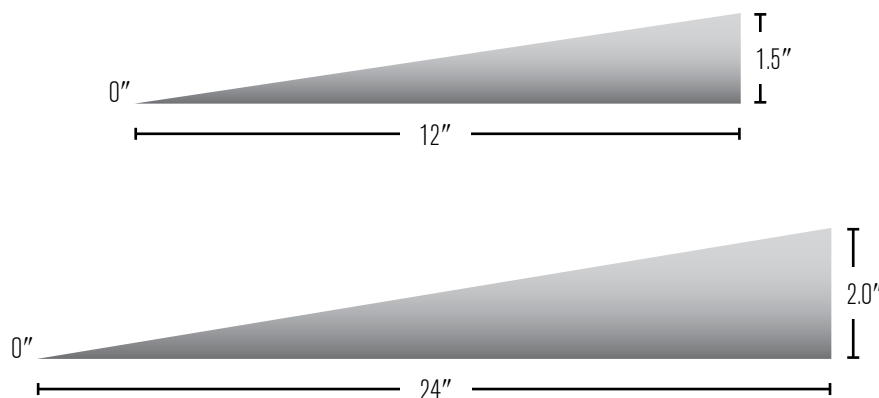
THE ZERO EDGE SOLUTION

THERMAL DATA

THICKNESS		PRODUCT DIMENSIONS		PACKAGING SPECIFICATIONS		LTTR VALUE	THICKNESS		*RSI	SLOPE	
minimum	maximum	width	length	pieces per bundle	bundles per unit		in	mm		per ft.	percent
0.0"	1.5" (38.1mm)	12" (305mm)	96" (2438mm)	12 PCS (96 LF)	8 BUNDLES (768 LF)	4.3	0.0"-1.5"	0.0mm-38.1mm	0.76	1.5"	12.5%
0.0"	2.0" (50.8mm)	24" (610mm)	96" (2438mm)	10 PCS (80 LF)	4 BUNDLES (320 LF)	5.7	0.0"-2.0"	0.0mm-50.8mm	1.00	1.0"	8.0%

*RSI is the metric expression of R-value (m² • K/W)

TYPICAL CROSS SECTIONS:



Other than the aforementioned representations and descriptions, Atlas Roofing Corporation (hereafter, "Seller") makes no other representations or warranties as to the insulation sold herein. The Seller disclaims all other warranties, express or implied, including the warranty of merchantability and the warranty of fitness for a particular purpose. Seller does, however, have a limited warranty as to the LTTR-Value of the insulation, the terms of which are available upon request from the Seller. Seller shall not be liable for any incidental or consequential damages including but not limited to the cost of installation, removal, repair or replacement of this product. Buyer's remedies shall be limited exclusively to, at Seller's option, the repayment of the purchase price or resupply of product manufactured by Atlas in a quantity equal to that of the nonconforming product. Atlas distributors, agents, salespersons or other independent representatives have no authority to waive or alter the above limitation of liability and remedies.

