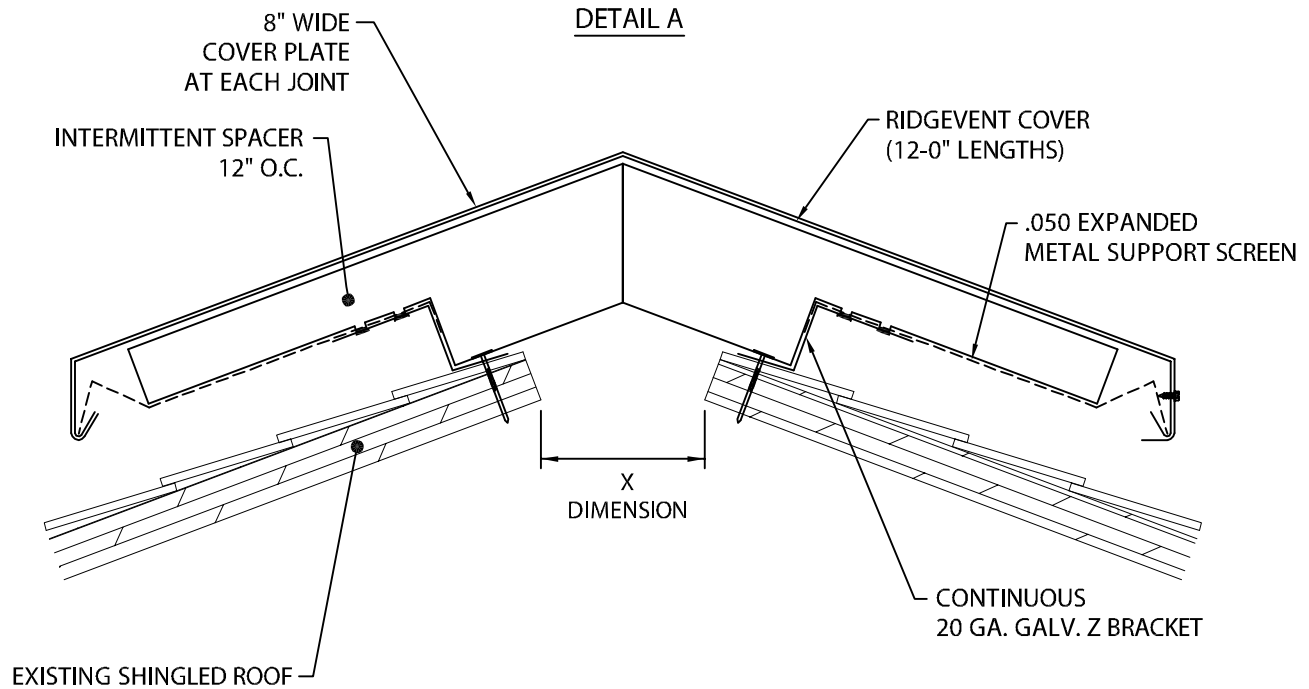


TECHNI-FLO RV

SLOPE TO SLOPE, SHINGLED VERSION

INSTALLATION INSTRUCTIONS

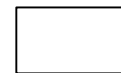
U.S. PATENT PENDING



CAUTION! INSTALLERS SHALL WEAR PROTECTIVE EYE WEAR TO PREVENT INJURY. DO NOT OVERDRIVE FASTENERS, AS STRIPPING CAN OCCUR AT HIGH DRIVER TORQUE. RECOMMENDED DRIVING TOOL: 600 - 800 rpm ELECTRIC DRILL EQUIPPED WITH DEPTH-SENSING NOSE-PIECE TO PREVENT DRIVING AND STRIPOUT. DO NOT USE IMPACT TYPE TOOL.

ATLAS ROOFING
PROCESS ENGINEER
PLEASE SPECIFY

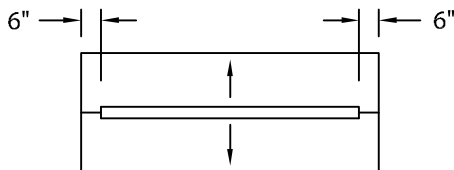
ALL FASTENERS AND
SEALANT BY OTHERS



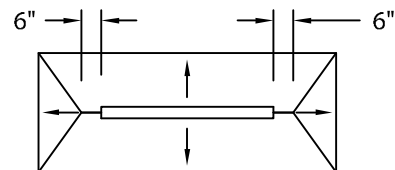
X DIMENSION

IMPORTANT! BE SURE TO REMOVE PROTECTIVE PLASTIC FILM PRIOR TO INSTALLING EACH COVER SECTION.

NOTE: ALL FASTENERS MUST MEET MINIMUM 240 LB. PULL-OUT FOR SUBSTRATE.



EXAMPLE WITH GABLE ENDS
(TOP VIEW)



EXAMPLE WITH HIPPED ENDS
(TOP VIEW)

1. PREPARE RIDGE

CUT OPENING AT RIDGE "X" DIMENSION. END THE OPENING 6" BEFORE GABLE OR HIPPED END.



Phone: 855-542-0918
Fax: 800-770-3934
roof.atlasroofing.com

DATE: 09/12/14

SHT.# 1 OF 4

DRN BY: JJC

CKD BY: SAK

DWG# 38124-20434

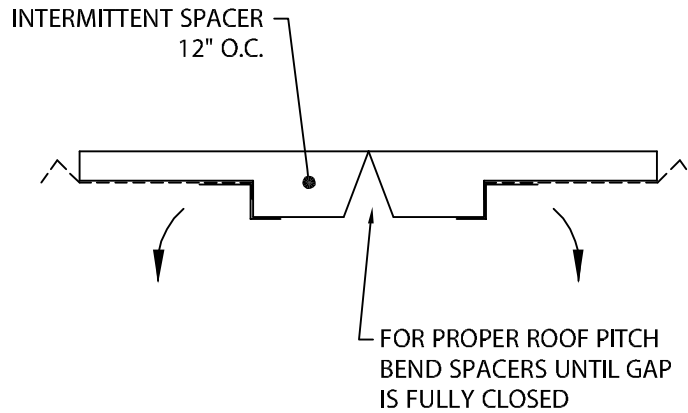
A

TECHNI-FLO RV

SLOPE TO SLOPE, SHINGLED VERSION

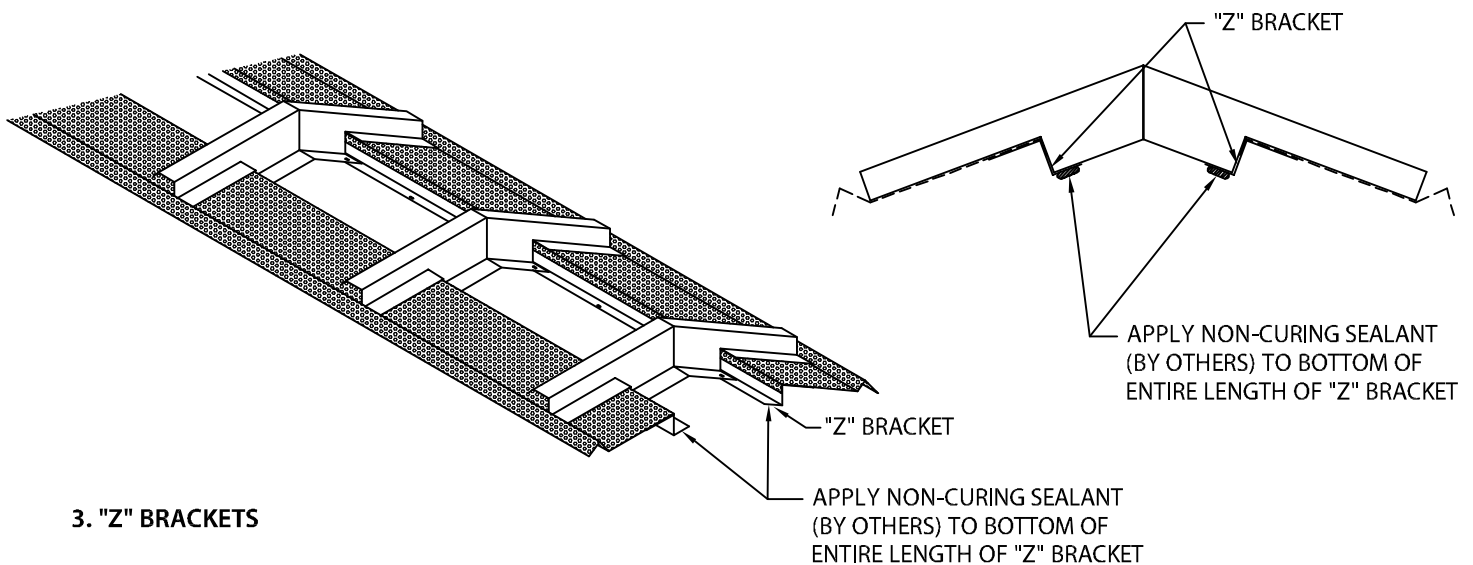
INSTALLATION INSTRUCTIONS

U.S. PATENT PENDING



2. RIDGE VENT

THE RIDGE VENT IS MANUFACTURED TO BEND TO ACCOMMODATE ONE SPECIFIC ROOF PITCH. BEND RIDGE VENT UNTIL SPACES IN THE INTERMITTENT SPACERS ARE CLOSED. THIS CAN BE DONE AHEAD OF TIME ON THE GROUND OR ON THE ROOF.



3. "Z" BRACKETS

TO PREVENT MOISTURE ENTRY UNDER THE "Z", APPLY A GENEROUS BEAD OF NON-CURING SEALANT (BY OTHERS) ALONG ENTIRE LENGTH OF BOTTOM OF FLANGE.



Phone: 855-542-0918
Fax: 800-770-3934
roof.atlasroofing.com

DATE: 09/12/14

SHT.# 2 OF 4

DRN BY: JJC

CKD BY: SAK

DWG# 38124-20434

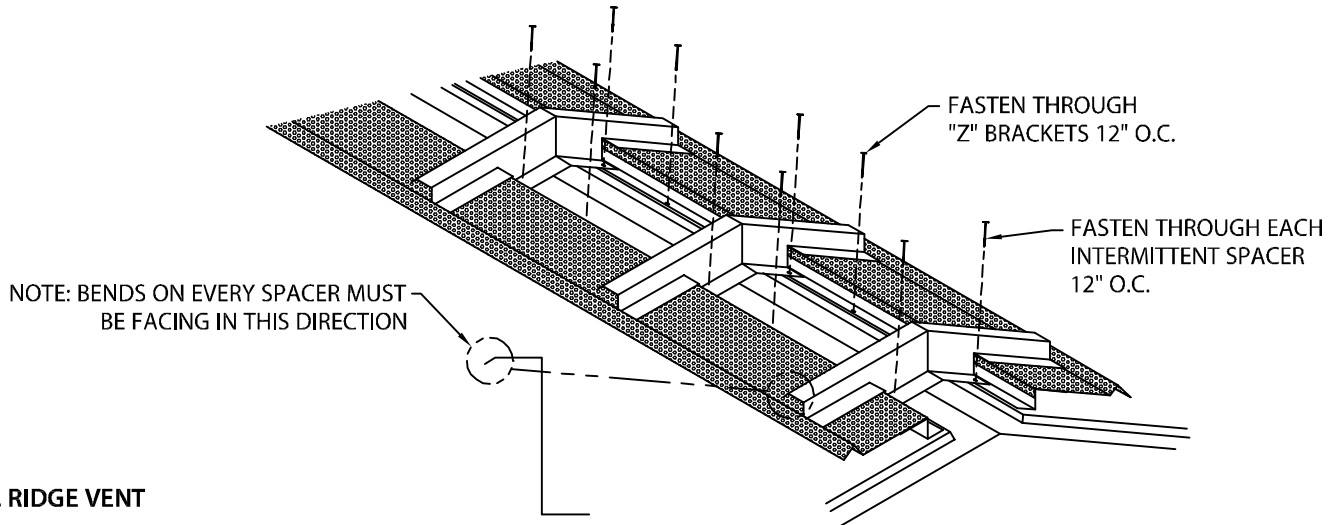
A

TECHNI-FLO RV

SLOPE TO SLOPE, SHINGLED VERSION

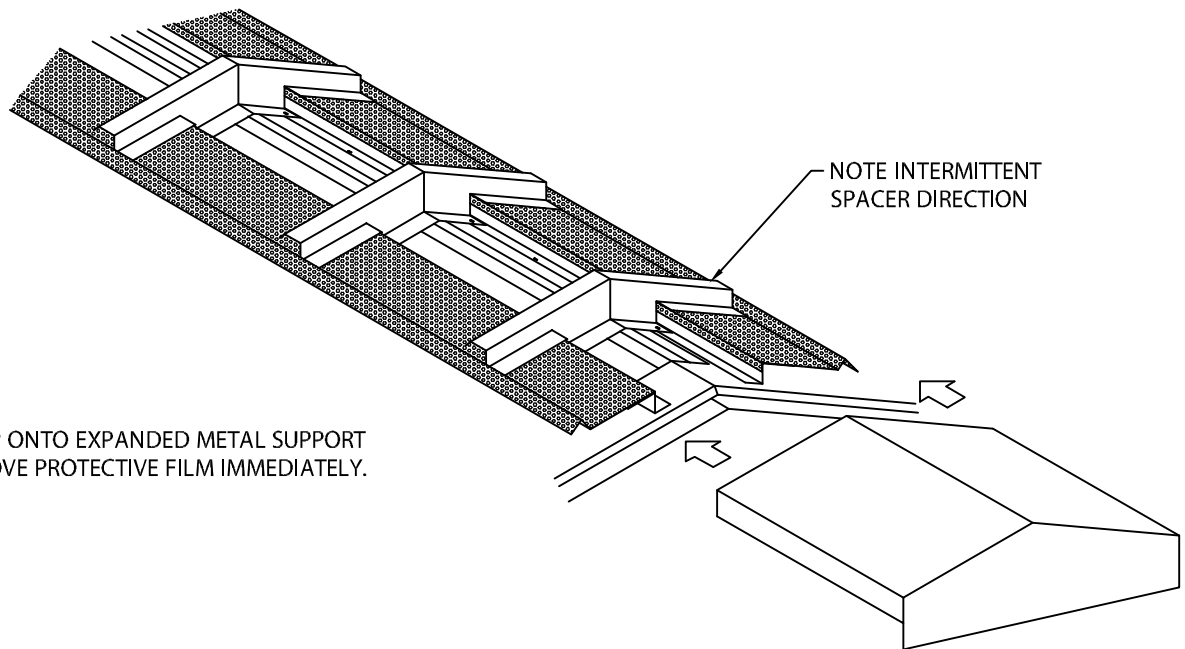
INSTALLATION INSTRUCTIONS

U.S. PATENT PENDING



4. RIDGE VENT

SET RIDGE VENT IN PLACE CENTERED OVER RIDGE OPENING. THE BENDS ON TOP OF THE SPACER MUST ALL BE FACING AWAY FROM THE END OF THE ROOF. FASTEN THROUGH PRE-PUNCHED SLOTTED HOLES IN INTERMITTENT SPACERS AT 12" O.C. WITH APPROPRIATE FASTENERS. ALSO FASTEN THROUGH PRE-PUNCHED SLOTTED HOLES IN "Z" BRACKETS 12" O.C.. LAP "Z" BRACKETS 1" ("Z" BRACKETS WILL LAP AND EXPANDED METAL SUPPORT SCREEN WILL BUTT UP TOGETHER).



5. ENDCAPS

SLIDE ENDCAP ONTO EXPANDED METAL SUPPORT SCREEN. REMOVE PROTECTIVE FILM IMMEDIATELY.



Phone: 855-542-0918
 Fax: 800-770-3934
 roof.atlasroofing.com

DATE: 09/12/14

SHT.# 3 OF 4

DRN BY: JJC

CKD BY: SAK

DWG# 38124-20434

A

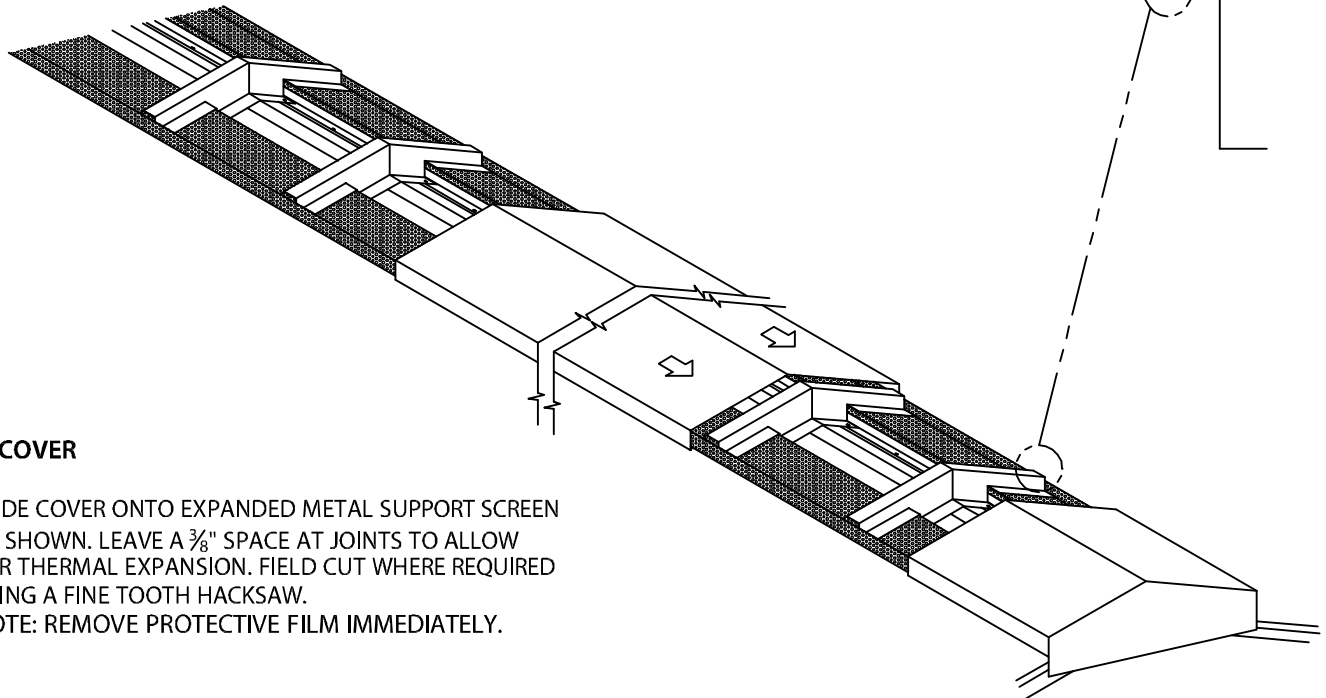
TECHNI-FLO RV

SLOPE TO SLOPE, SHINGLED VERSION

INSTALLATION INSTRUCTIONS

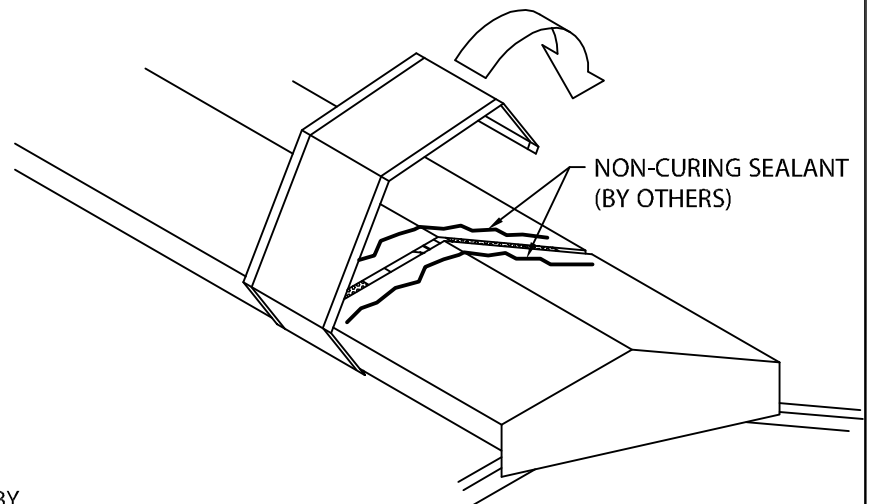
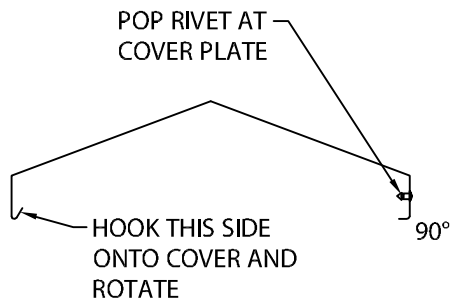
U.S. PATENT PENDING

NOTE INTERMITTENT
SPACER DIRECTION



6. COVER

SLIDE COVER ONTO EXPANDED METAL SUPPORT SCREEN AS SHOWN. LEAVE A $\frac{3}{8}$ " SPACE AT JOINTS TO ALLOW FOR THERMAL EXPANSION. FIELD CUT WHERE REQUIRED USING A FINE TOOTH HACKSAW.
NOTE: REMOVE PROTECTIVE FILM IMMEDIATELY.



7. COVER PLATES AT JOINTS

APPLY A GENEROUS BEAD OF NON-CURING SEALANT (BY OTHERS) TO EACH SIDE OF JOINT. HOOK COVER PLATE ONTO COVER AT JOINTS AND ROTATE INTO PLACE. POP RIVET INTO COVER PLATE AT ONE SIDE OF THE JOINT (FASTEN SIDE WHICH HAS 90° DRIP ANGLE). THIS WILL PREVENT MIGRATION.



Phone: 855-542-0918
Fax: 800-770-3934
roof.atlasroofing.com

DATE: 09/12/14

SHT.# 4 OF 4

DRN BY: JJC

CKD BY: SAK

DWG# 38124-20434

A