

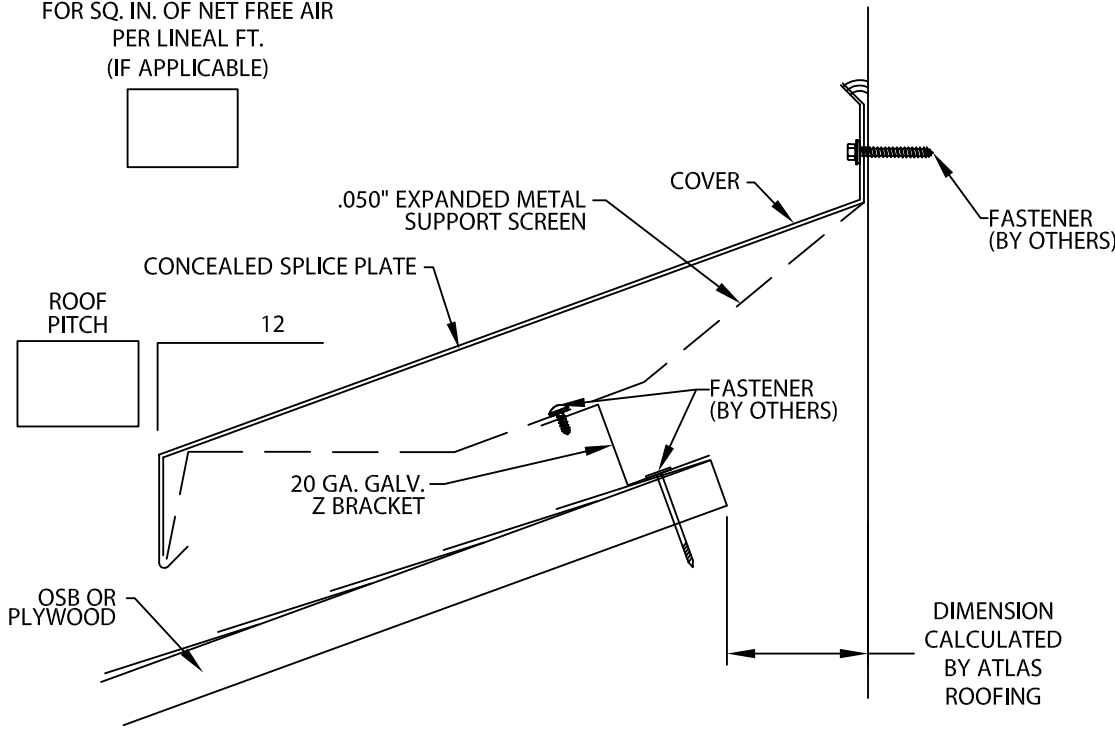
REFERENCE DETAIL:

TECHNI-FLO RV

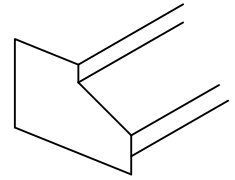
SLOPED ROOF MEETS HIGH WALL

U.S. PATENT # 7,823,343

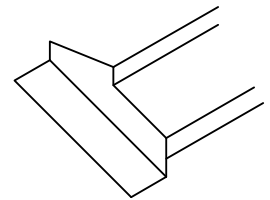
SPECIFICATION REQUIREMENT
FOR SQ. IN. OF NET FREE AIR
PER LINEAL FT.
(IF APPLICABLE)



ENDCAPS



STYLE A



STYLE B
(HIGH WALL OR ROOF
PENETRATION SUCH AS AT A
DORMER OR CHIMNEY)

SHINGLED ROOF SHOWN
IF STANDING SEAM CONDITON, PLEASE SUPPLY
HEIGHT OF STANDING SEAM

ACTUAL LINEAL
FOOTAGE OF RIDGE

ACTUAL LINEAL
FOOTAGE OF EAVE

TECHNI-FLO RV SHINGLED VERSION IS TO BE INSTALLED PER SPECIFICATIONS AND ATLAS ROOFING'S INSTALLATION INSTRUCTIONS DWG #38124-10918

TECHNI-FLO RV STANDING SEAM VERSION IS TO BE INSTALLED PER SPECIFICATIONS AND ATLAS ROOFING'S INSTALLATION INSTRUCTIONS DWG #38124-13653

Fabrication will proceed only after receipt of signed print approval.

Print Approval:

Architect and/or contractor shall verify all dimensions, sizes and quantities. All products to be installed in strict accordance with Atlas Roofing's printed instructions.

Approved by: _____

Date: _____

COVER:

- 24 Ga. (.65 mm) Galv. Steel
- .040" (1.01 mm) Aluminum
- .050" (1.27 mm) Aluminum
- .063" (1.60 mm) Aluminum
- Other _____

Color: _____ Finish: _____

CrossVent:

_____ Air Space

QUANTITIES:

- _____ Lineal Feet (12'-0" (3.65 m) Lengths)
- _____ Right End Cap (12" (305 mm) Lengths) _____ Style A _____ Style B
- _____ Left End Cap (12" (305 mm) Lengths) _____ Style A _____ Style B

PROJECT:		Phone: 855-542-0918
ARCHITECT:		Fax: 800-770-3934
CONTRACTOR:	DATE: 06/01/11	SHT.# ___ OF ___
REPRESENTATIVE:	DRN BY: JJC	DWG# 38024-10917
	CKD BY: SAK	